

F

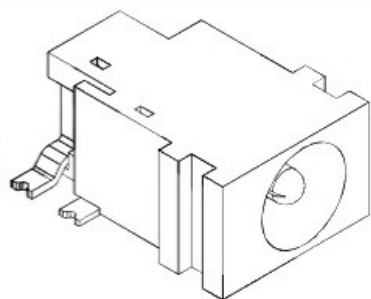
E

D

C

B

A



RoHS
Compliant

ZONE	SYMBOL	REVISION	APPROVAL	DATE
		ADJUST THE RECOMMENDED DC	J.X.KUANG	8-10-2019
		MATING PLUG		

1

1

2

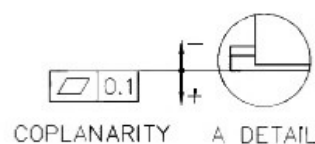
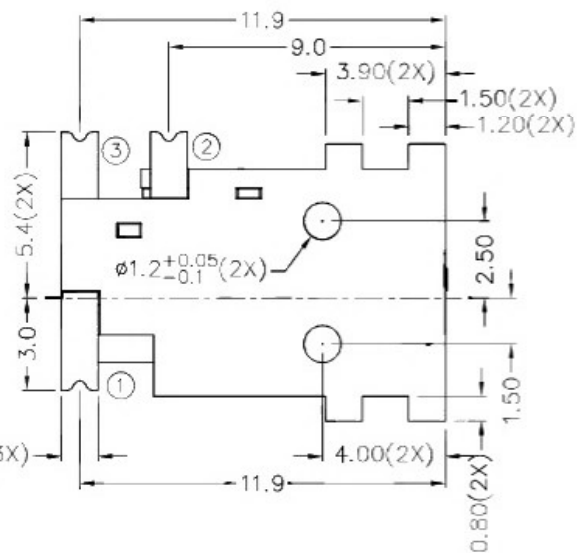
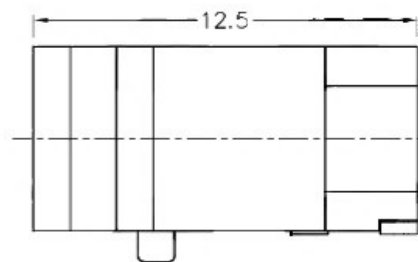
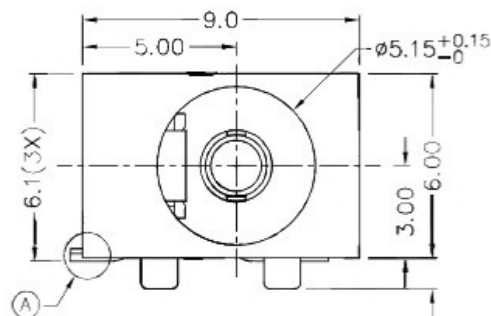
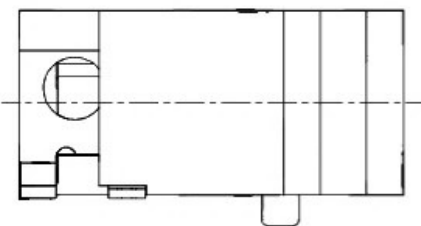
2

3

3

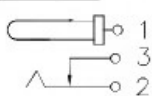
4

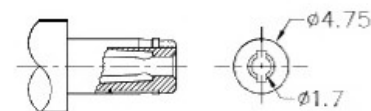
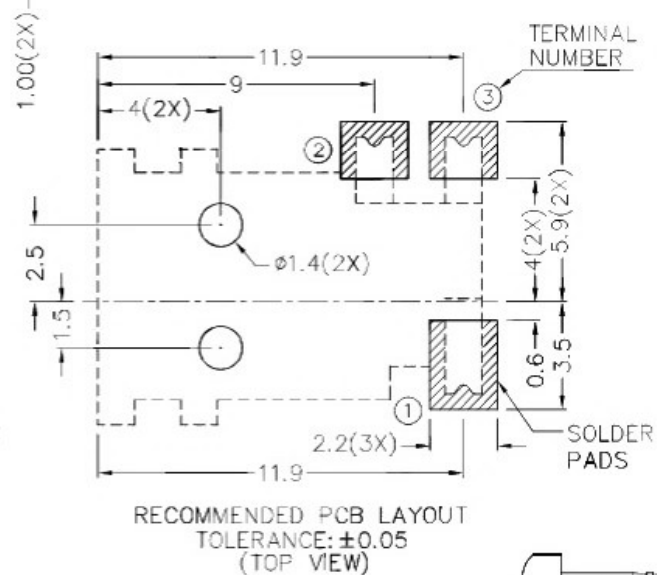
4




* MATERIAL

TERMINAL 1 : BRASS
 TERMINAL 2 : COPPER ALLOY
 TERMINAL 3 : BRASS
 HOUSING : HIGH TEMP. PLASTIC

SCHEMATIC	
CENTER PIN	ø1.650mm



RECOMMENDED
DC MATING PLUG

 广东科斯达开关厂

DESIGN	T.Y.LI	DATE	10-10-2003	SCALE	4:1
DRAWING	H.Q.ZHOU	DATE	8-10-2019	MATERIAL	*
CHECK	H.L.TAN	DATE	8-10-2019	DWG. NO.	TZ\DC023H-A/1.1
APPROVAL		DATE		SHEET	

PART NAME HIGH CURRENT SMD DC POWER SOCKET

TOLERANCE UNLESS 0.0±0.2

0.00±0.1

UNIT:  mm

PART NO.

OTHERWISE SPECIFIED: 0.000±0.05

F

E

D

C

B

A