

F

E

D

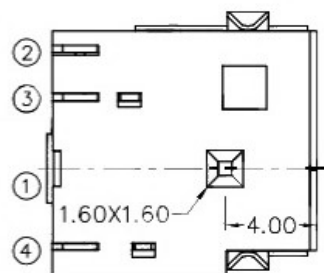
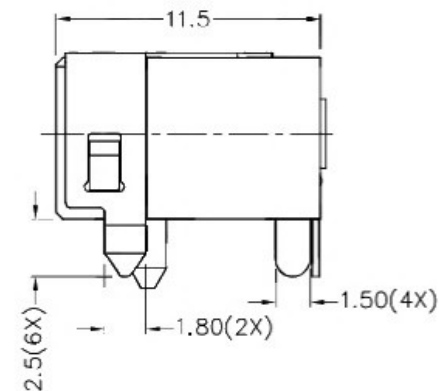
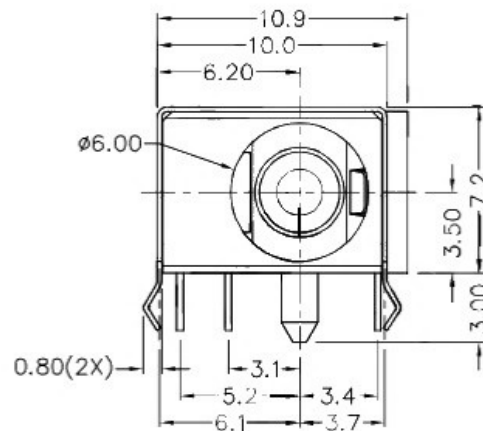
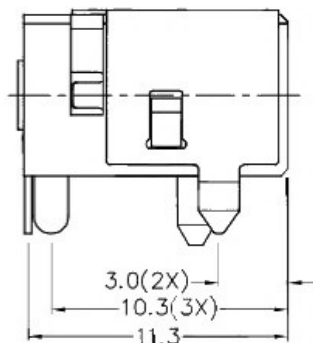
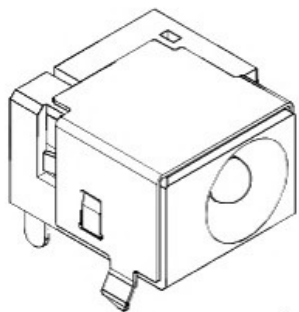
C

B

A

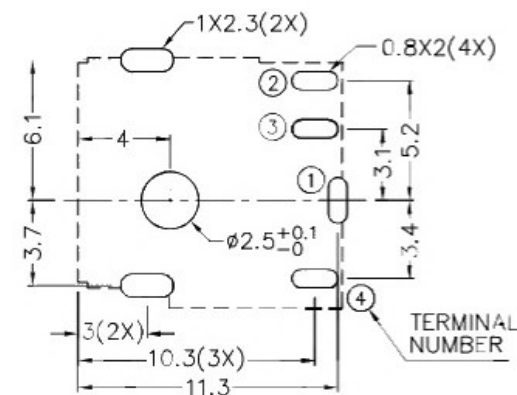
RoHS
Compliant

ZONE	SYMBOL	REVISION	APPROVAL	DATE

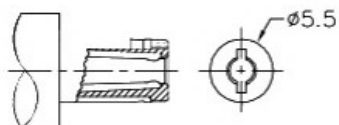


* MATERIAL

CENTRE PIN : COPPER
 TERMINAL 1 : BRASS
 TERMINAL 2 : COPPER ALLOY
 TERMINAL 3 : BRASS
 TERMINAL 4 : COPPER ALLOY
 SHIELD : BRASS
 HOUSING : THERMOPLASTIC



RECOMMENDED PCB LAYOUT
 TOLERANCE: ±0.05
 (TOP VIEW)



DC MATE PLUG

SCHEMATIC	
CENTER PIN	

广东科斯达开关厂

DESIGN	J.X.KUANG	DATE	17-12-2007	SCALE	3:1
DRAWING	T.Y.LI	DATE	26-10-2016	MATERIAL	*
CHECK	H.L.TAN	DATE	26-10-2016	DWG. NO.	TZ\PC074S2-B/1.0
APPROVAL		DATE	26-10-2016	SHEET	

PART NAME	DC POWER SOCKET	TOLERANCE UNLESS	0.0±0.2	UNIT:	
PART NO.		OTHERWISE SPECIFIED:	0.00±0.1 0.000±0.05	mm	

F

E

D

C

B

A