

F

E

D

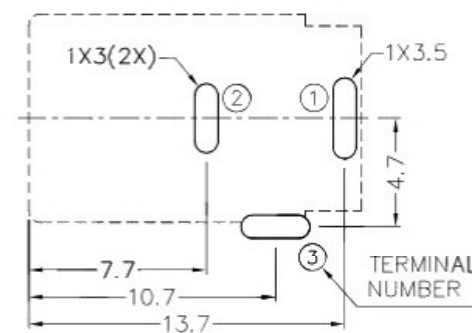
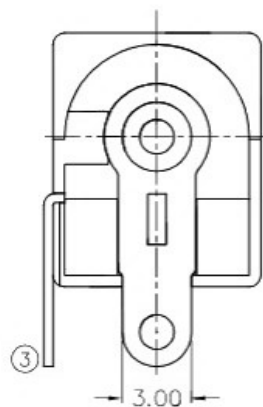
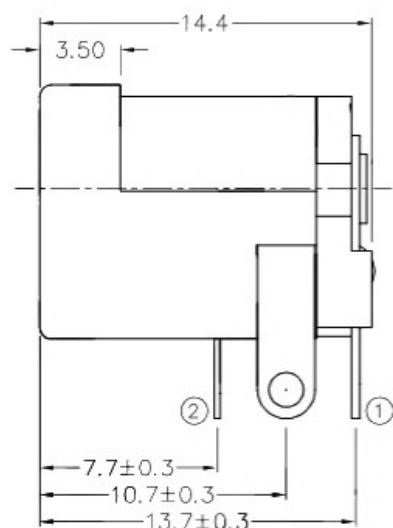
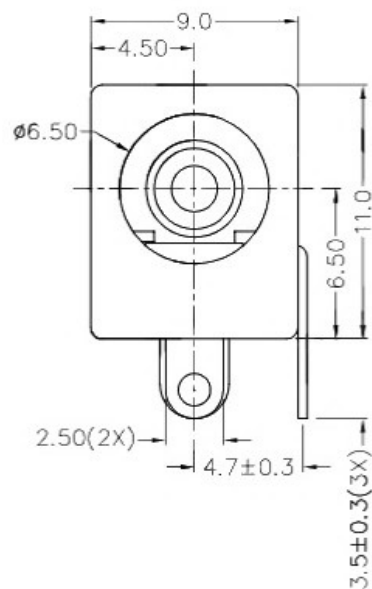
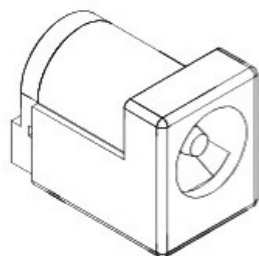
C

B

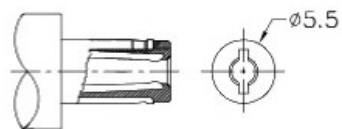
A

ZONE	SYMBOL	REVISION	APPROVAL	DATE

RoHS  
Compliant



RECOMMENDED PCB LAYOUT  
TOLERANCE:  $\pm 0.05$   
(TOP VIEW)



DC MATE PLUG

MODEL NO.	
SCHEMATIC	
CENTER PIN	$\phi 1.65\text{mm}$
	$\phi 2\text{mm}$
	$\phi 2.35\text{mm}$
	$\phi 2.5\text{mm}$

\* MATERIAL

CENTRE PIN : COPPER  
 TERMINAL 1 : BRASS  
 TERMINAL 2 : COPPER ALLOY  
 TERMINAL 3 : BRASS  
 HOUSING : THERMOPLASTIC  
 COVER : THERMOPLASTIC

广东科斯达开关厂

DESIGN	T.Y.LI	DATE	30-1-2004	SCALE	3:1
DRAWING	H.Q.ZHOU	DATE	23-11-2016	MATERIAL	*
CHECK	H.L.TAN	DATE	23-11-2016	DWG. NO.	TZ\DC021-1-B/1.0
APPROVAL		DATE		SHEET	

PART NAME	DC POWER SOCKET	TOLERANCE UNLESS	0.0 $\pm$ 0.2	UNIT:
PART NO.		OTHERWISE SPECIFIED:	0.00 $\pm$ 0.1 0.000 $\pm$ 0.05	

F

E

D

C

B

A