

F

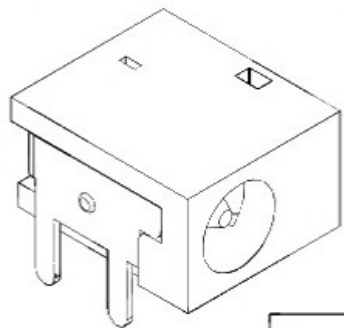
E

D

C

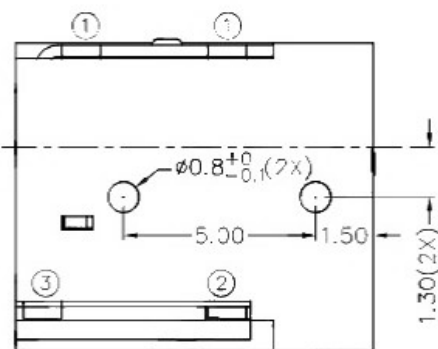
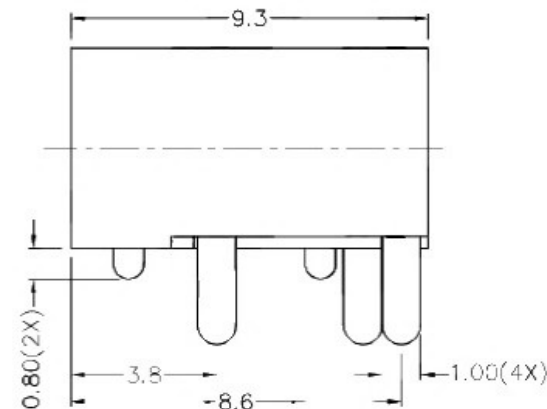
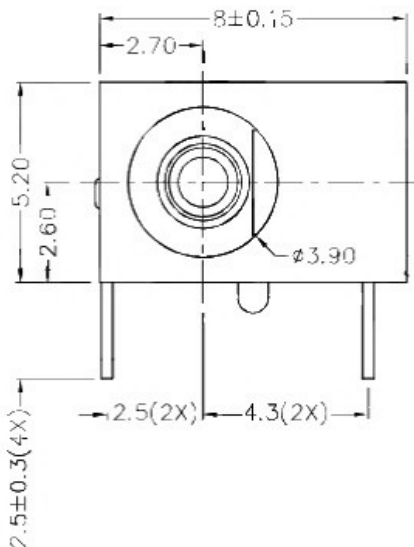
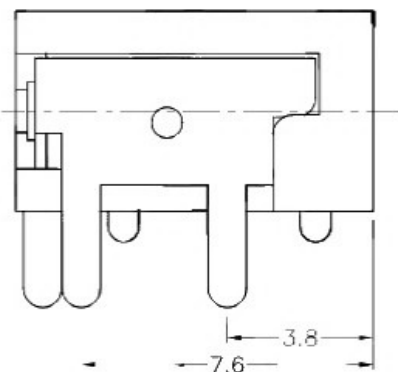
B

A



RoHS
Compliant

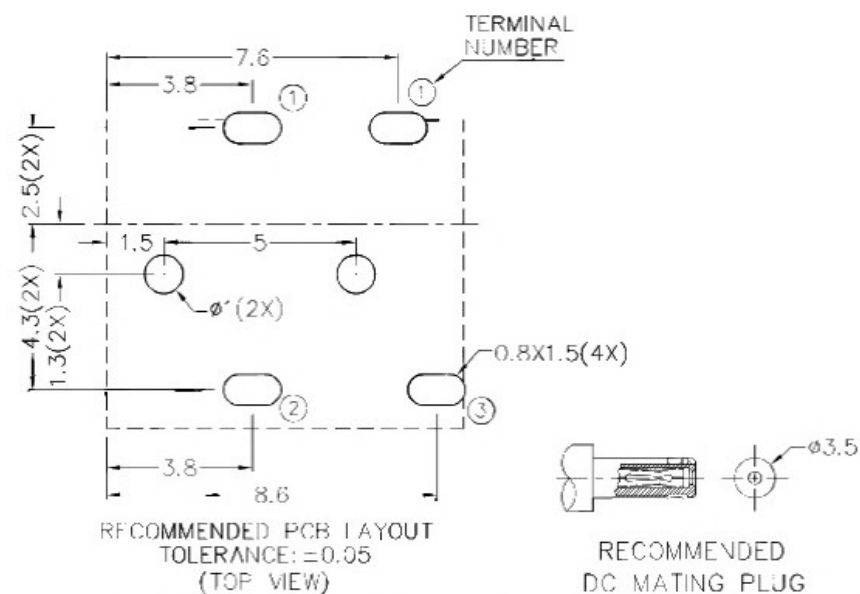
ZONE	SYMBOL	REVISION	APPROVAL	DATE
		ADJUST THE RECOMMENDED DC MATING PLUG	J.X.KUANG	8-10-2019



* MATERIAL

CENTRE PIN : COPPER
 TERMINAL 1 : BRASS
 TERMINAL 2 : COPPER ALLOY
 TERMINAL 3 : BRASS
 HOUSING : THERMOPLASTIC

MODEL NO.	
SCHEMATIC	
CENTER PIN	∅1.000mm
	∅1.300mm



广东科斯达开关厂

PART NAME	DC POWER SOCKET	TOLERANCE UNLESS OTHERWISE SPECIFIED:	0.0±0.2 0.00±0.1 0.000±0.05	UNIT:	mm
PART NO.					

DESIGN	J.X.KUANG	DATE	7-4-2005	SCALE	5:1
DRAWING	H.Q.ZHOU	DATE	8-10-2019	MATERIAL	*
CHECK	T.Y.LI	DATE	8-10-2019	DWG. NO.	TZ\DC054-B/1.1
APPROVAL		DATE		SHEET	

F

E

D

C

B

A