

F

E

D

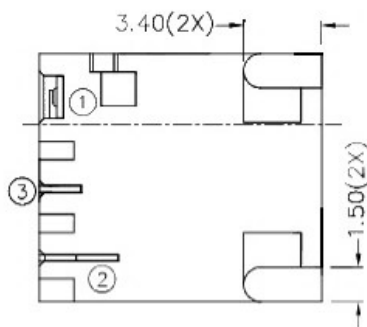
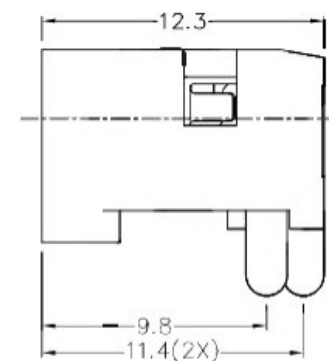
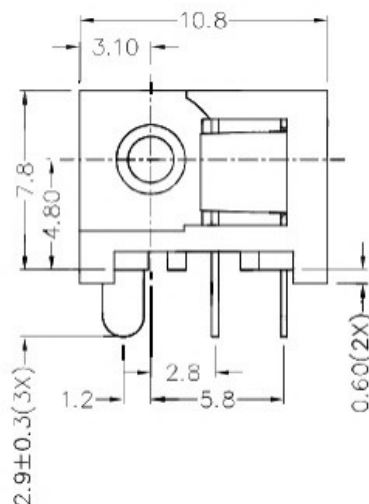
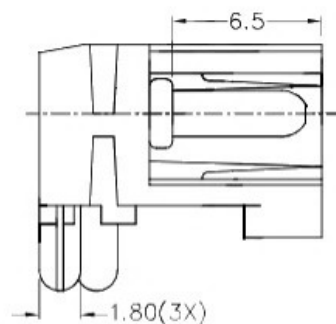
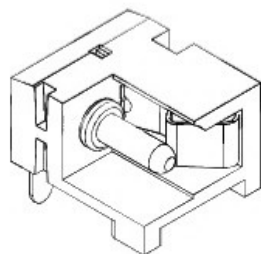
C

B

A

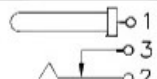
ZONE	SYMBOL	REVISION	APPROVAL	DATE
		DESIGN MODIFIED	J.X.KUANG	28-4-2017

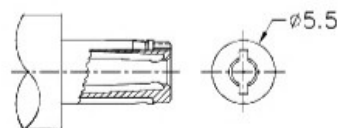
RoHS
Compliant



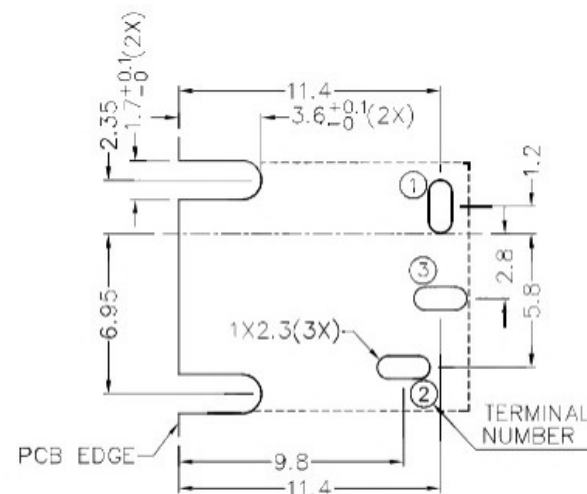
* MATERIAL

CENTRE PIN : COPPER
 TERMINAL 1 : BRASS
 TERMINAL 2 : COPPER ALLOY
 TERMINAL 3 : BRASS
 HOUSING : THERMOPLASTIC

MODEL NO.	
SCHEMATIC	
CENTER PIN	ø2mm
	ø2.5mm



DC MATE PLUG



RECOMMENDED PCB LAYOUT
 TOLERANCE: ±0.05
 (TOP VIEW)

 广东科斯达开关厂

DESIGN	J.M.KWAN	DATE	8-10-2003	SCALE	3:1
DRAWING	H.Q.ZHOU	DATE	28-4-2017	MATERIAL	*
CHECK	T.Y.LI	DATE	28-4-2017	DWG. NO.	TZ\DC003-B/2.0
APPROVAL		DATE		SHEET	

PART NAME DC POWER SOCKET

TOLERANCE UNLESS 0.0±0.2

0.00±0.1

UNIT: mm



OTHERWISE SPECIFIED: 0.000±0.05

F

E

D

C

B

A