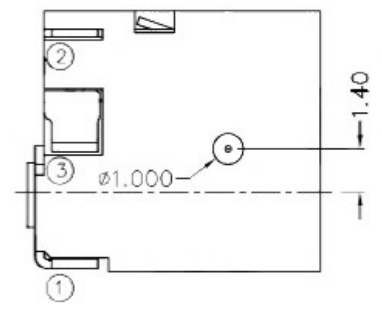
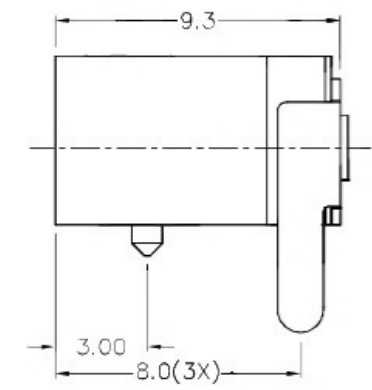
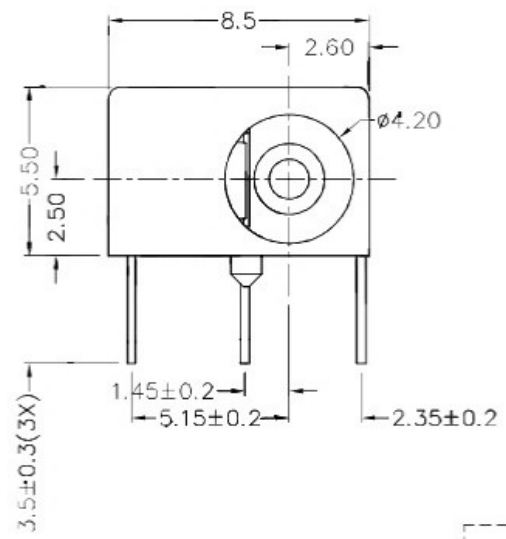
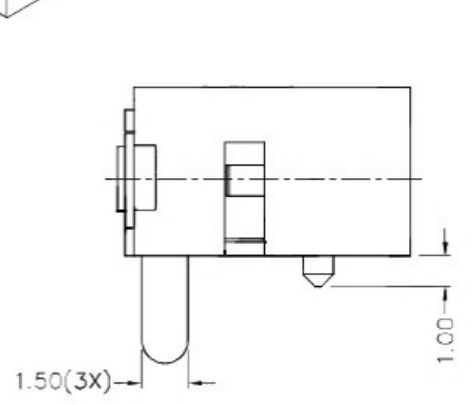
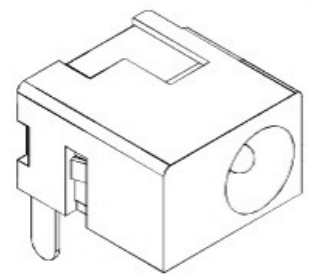


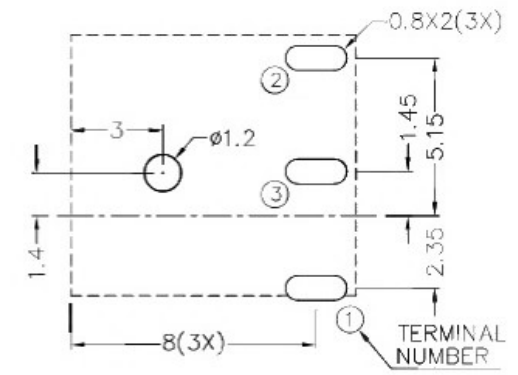
ZONE	SYMBOL	REVISION	APPROVAL	DATE
		ADJUST THE RECOMMENDED DC	J.X.KUANG	8-10-2019
		MATING PLUG		

RoHS
Compliant

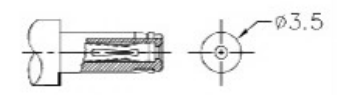


* MATERIAL
 CENTRE PIN : COPPER
 TERMINAL 1 : BRASS
 TERMINAL 2 : COPPER ALLOY
 TERMINAL 3 : BRASS
 HOUSING : THERMOPLASTIC

MODEL NO.	
SCHMATIC	
CENTER PIN	ø1.000mm ø1.300mm



RECOMMENDED PCB LAYOUT
 TOLERANCE: ±0.05
 (TOP VIEW)



RECOMMENDED
 DC MATING PLUG

广东科斯达开关厂

DESIGN	J.X.KUANG	DATE	9-10-2003	SCALE	4:1
DRAWING	H.Q.ZHOU	DATE	8-10-2019	MATERIAL	*
CHECK	T.Y.LI	DATE	8-10-2019	DWG. NO.	TZ\DC011-B/2.1
APPROVAL		DATE		SHEET	

PART NAME	DC POWER SOCKET	TOLERANCE UNLESS	0.0±0.2	UNIT:	
PART NO.		OTHERWISE SPECIFIED:	0.00±0.1 0.000±0.05	mm	