

F

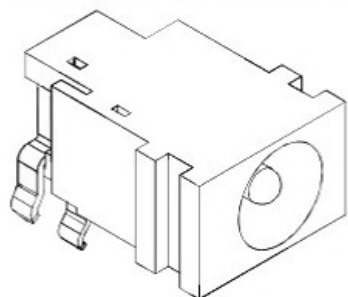
E

D

C

B

A



RoHS
Compliant

ZONE	SYMBOL	REVISION	APPROVAL	DATE
		ADJUST THE RECOMMENDED DC	J.X.KUANG	8-10-2019
		MATING PLUG		

1

1

2

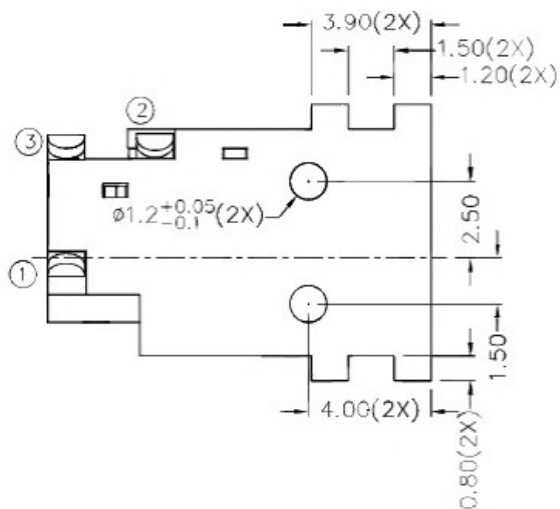
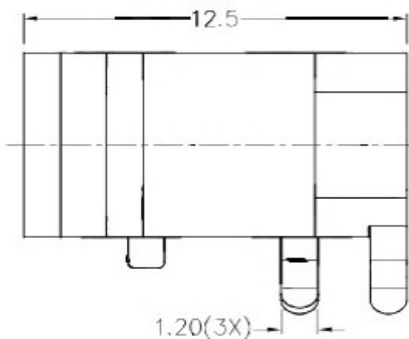
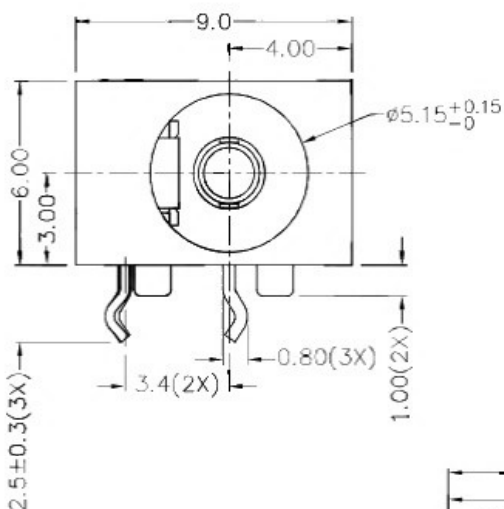
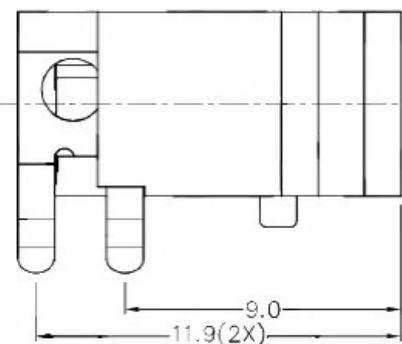
2

3

3

4

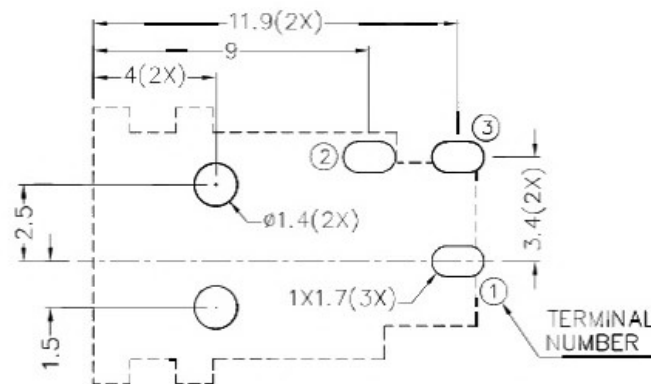
4



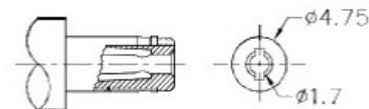
* MATERIAL

TERMINAL 1 : BRASS
 TERMINAL 2 : COPPER ALLOY
 TERMINAL 3 : BRASS
 HOUSING : THERMOPLASTIC

SCHEMATIC	
CENTER PIN	$\phi 1.650\text{mm}$



RECOMMENDED PCB LAYOUT
 TOLERANCE: ± 0.05
 (TOP VIEW)



RECOMMENDED
 DC MATING PLUG

广东科斯达开关厂

PART NAME	DC POWER SOCKET	TOLERANCE UNLESS	0.0±0.2	UNIT:		DESIGN	T.Y.LI	DATE	2-2-2004	SCALE	4:1
PART NO.		OTHERWISE SPECIFIED:	0.00±0.1 0.000±0.05	mm		DRAWING	H.Q.ZHOU	DATE	8-10-2019	MATERIAL	*
						CHECK	H.L.TAN	DATE	8-10-2019	DWG. NO.	TZ\DC026-2-B/1.1
						APPROVAL		DATE		SHEET	

F

E

D

C

B

A