

F

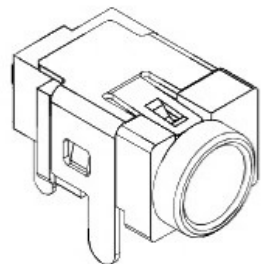
E

D

C

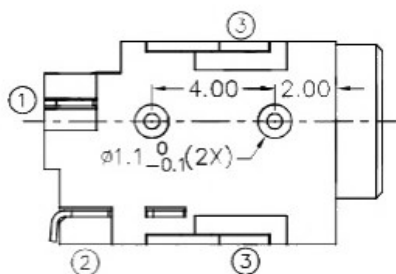
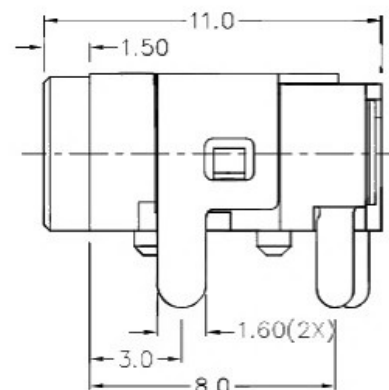
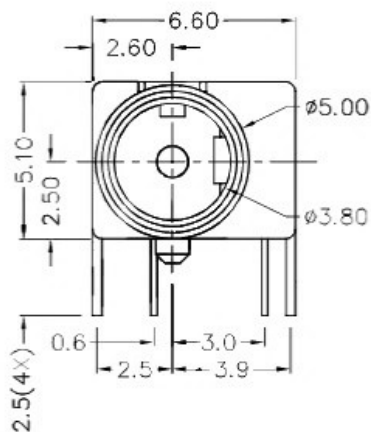
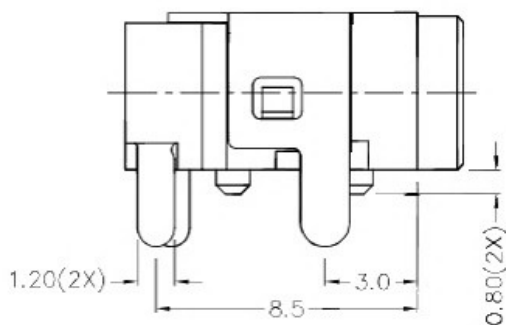
B

A



RoHS
Compliant

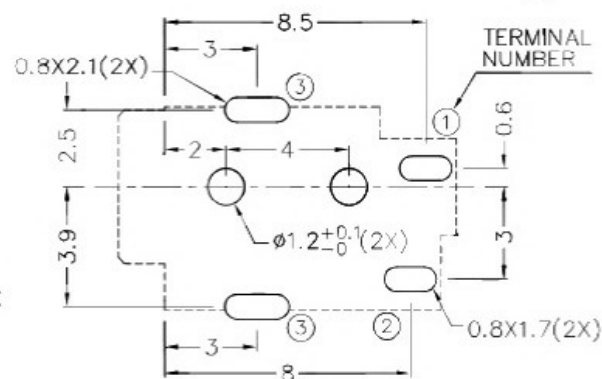
ZONE	SYMBOL	REVISION	APPROVAL	DATE
		ADJUST THE RECOMMENDED DC	J.X.KUANG	8-10-2019
		MATING PLUG		



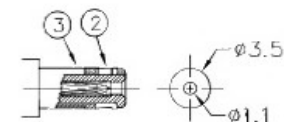
* MATERIAL

TERMINAL 1 : BRASS
 TERMINAL 2 : COPPER ALLOY
 TERMINAL 3 : COPPER ALLOY
 HOUSING : THERMOPLASTIC

SCHEMATIC	
CENTER PIN	$\phi 1.000\text{mm}$



RECOMMENDED PCB LAYOUT
 TOLERANCE: ± 0.05
 (TOP VIEW)



RECOMMENDED
 DC MATING PLUG

广东科斯达开关厂

PART NAME	DC POWER SOCKET	TOLFRANCE UNLESS	0.0 \pm 0.2	UNIT:		DESIGN	J.X.KUANG	DATE	9-12-2004	SCALE	4:1
PART NO.		OTHERWISE SPECIFIED:	0.00 \pm 0.1	mm		DRAWING	H.Q.ZHOU	DATE	8-10-2019	MATERIAL	*
			0.000 \pm 0.05			CHFCCK	H.L.TAN	DATE	8-10-2019	DWG. NO.	TZ\DC060-B/1.1
						APPROVAL		DATE		SHEET	

F

E

D

C

B

A