

F

E

D

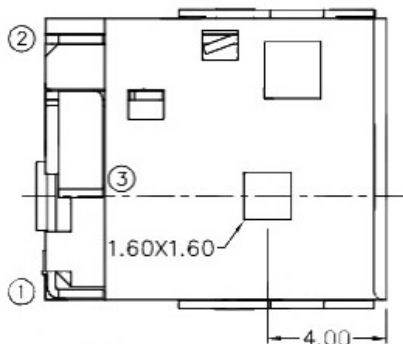
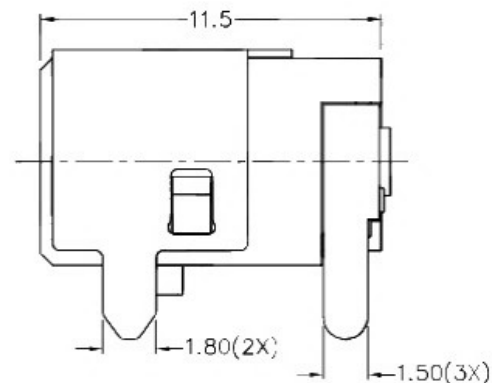
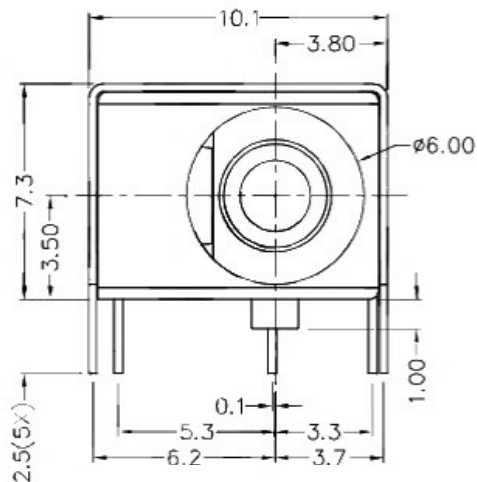
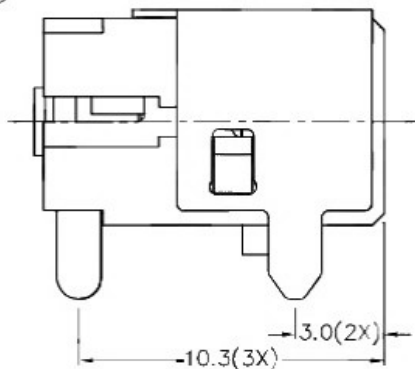
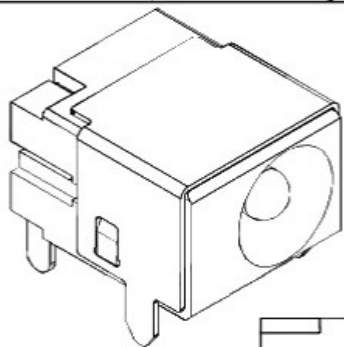
C

B

A

RoHS
Compliant

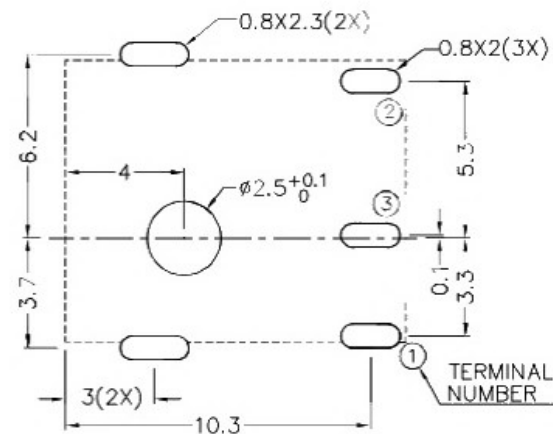
ZONE	SYMBOL	REVISION	APPROVAL	DATE



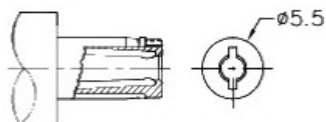
* MATERIAL

CENTRE PIN : COPPER
 TERMINAL 1 : BRASS
 TERMINAL 2 : COPPER ALLOY
 TERMINAL 3 : BRASS
 SHIELD : BRASS
 HOUSING : THERMOPLASTIC

SCHEMATIC	
CENTER PIN	$\phi 1.65\text{mm}$ $\phi 2\text{mm}$ $\phi 2.5\text{mm}$



RECOMMENDED PCB LAYOUT
 TOLERANCE: ± 0.05
 (TOP VIEW)



DC MATE PLUG

广东科斯达开关厂

DESIGN	T.Y.LI	DATE	29-3-2004	SCALE	4:1
DRAWING	J.CH.OU	DATE	21-9-2016	MATERIAL	*
CHECK	H.L.TAN	DATE	21-9-2016	DWG. \O.	TZ\DC048S-B/1.0
APPROVAL		DATE	21-9-2016	SH.ET	

PART NAME	DC POWER SOCKET	TOLERANCE UNLESS	0.0 \pm 0.2	UNIT:	
PART NO.		OTHERWISE SPECIFIED:	0.00 \pm 0.1 0.000 \pm 0.05		

F

E

D

C

B

A