

F

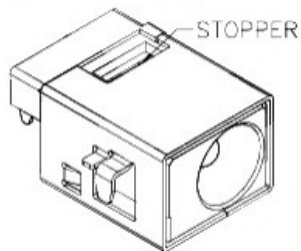
E

D

C

B

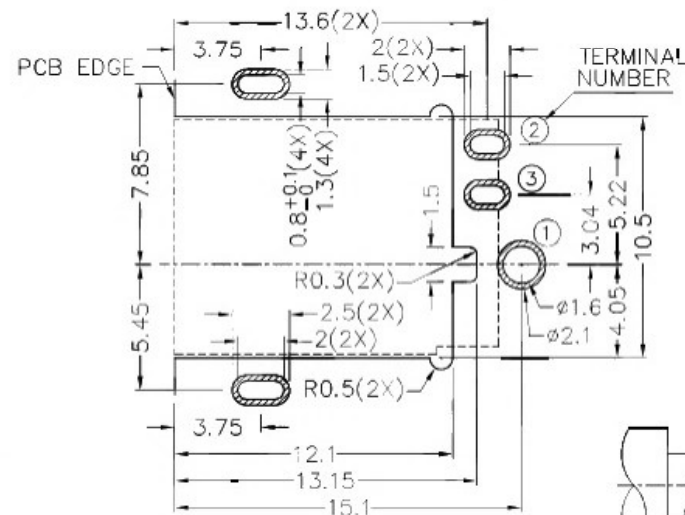
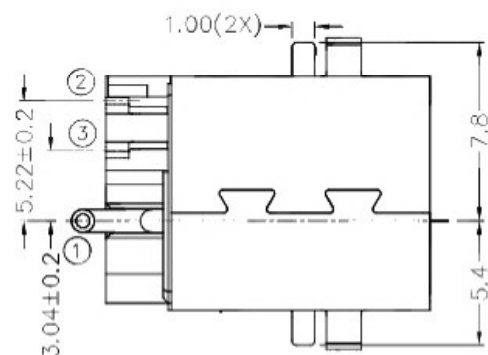
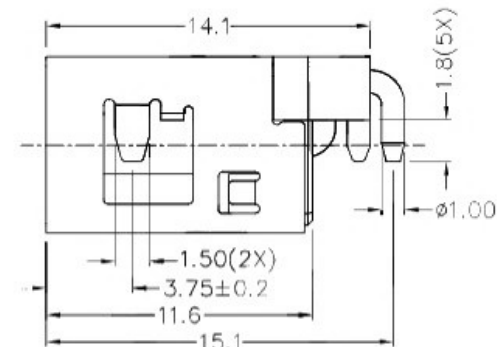
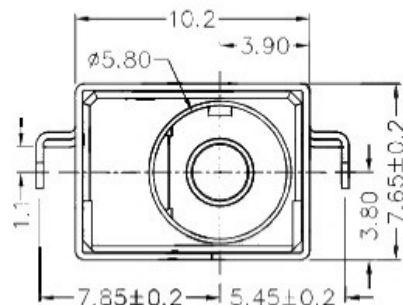
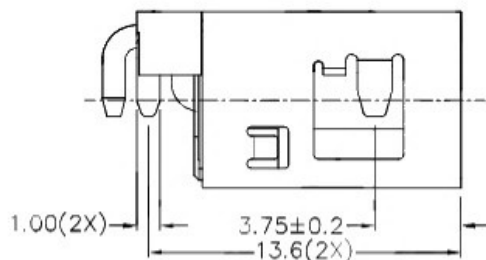
A



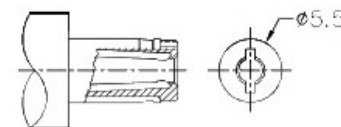
STOPPER

RoHS
Compliant

ZONE	SYMBOL	REVISION	APPROVAL	DATE
		PCB DIMENSION MODIFIED	J.X.KUANG	27-9-2019



RECOMMENDED PCB LAYOUT
TOLERANCE: ±0.05
(TOP VIEW)



RECOMMENDED
DC MATING PLUG

SCHEMATIC		1
		3
		2
CENTER PIN		∅2.5 ⁺⁰ _{-0.1} mm

* MATERIAL

TERMINAL 1 : BRASS
TERMINAL 2 : COPPER ALLOY
TERMINAL 3 : BRASS
SHIELD : BRASS
SPRING : STAINLESS STEEL
STOPPER : C.R.STEEL
HOUSING : HIGH TEMP. PLASTIC

广东科斯达开关厂

PART NAME HIGH CURRENT SMD DC POWER SOCKET
PART NO.

TOLERANCE UNLESS 0.0±0.2
0.00±0.1
OTHERWISE SPECIFIED: 0.000±0.05

UNIT: mm



DESIGN	CH.XIONG	DATE	25-9-2012	SCALE	3:1
DRAWING	H.L.TAN	DATE	27-9-2019	MATERIAL	*
CHECK	T.Y.LI	DATE	27-9-2019	DWG. NO.	TZ\DC104DHS-A/1.2
APPROVAL		DATE		SHEET	

F

E

D

C

B

A