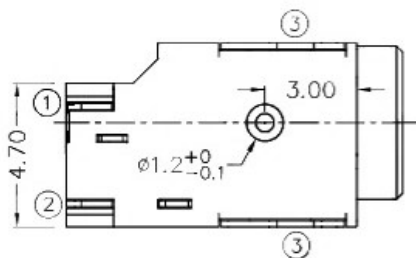
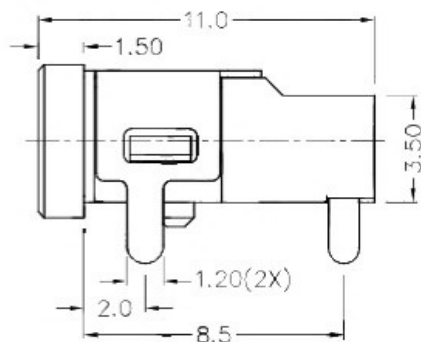
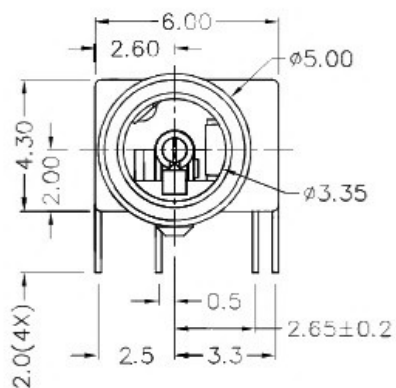
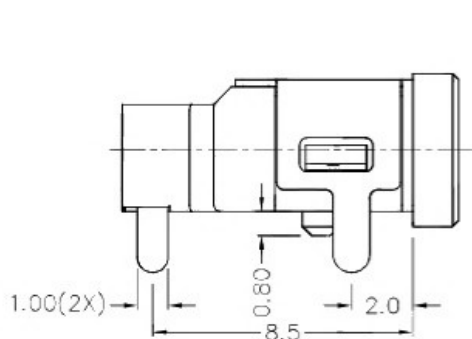
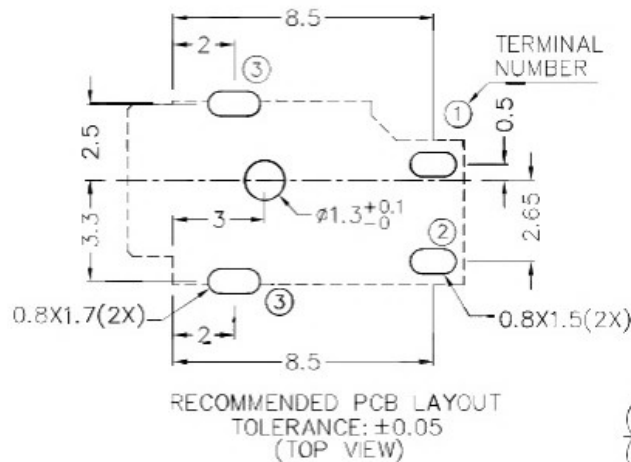


RoHS
Compliant

ZONE	SYMBOL	REVISION	APPROVAL	DATE
		ADJUST THE RECOMMENDED DC	J.X.KUANG	8-10-2019
		MATING PLUG		



* MATERIAL
 TERMINAL 1 : BRASS
 TERMINAL 2 : COPPER ALLOY
 TERMINAL 3 : COPPER ALLOY
 HOUSING : THERMOPLASTIC



SCHEMATIC	1
	2
	3
CENTER PIN	∅0.800mm

广东科斯达开关厂

DESIGN	G.P.YI	DATE	20-9-2010	SCALE	4:1
DRAWING	H.Q.ZHOU	DATE	8-10-2019	MATERIAL	*
CHECK	H.L.TAN	DATE	8-10-2019	DWG. NO.	TZ\DC043-B/1.1
APPROVAL		DATE		SHEET	

PART NAME	DC POWER SOCKET
PART NO.	

TOLERANCE UNLESS	0.0±0.2	UNIT:	mm
OTHERWISE SPECIFIED:	0.00±0.1		
	0.000±0.05		

DESIGN	G.P.YI	DATE	20-9-2010	SCALE	4:1
DRAWING	H.Q.ZHOU	DATE	8-10-2019	MATERIAL	*
CHECK	H.L.TAN	DATE	8-10-2019	DWG. NO.	TZ\DC043-B/1.1
APPROVAL		DATE		SHEET	