

F

E

D

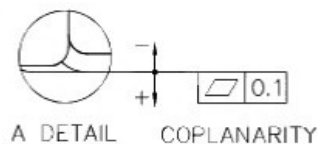
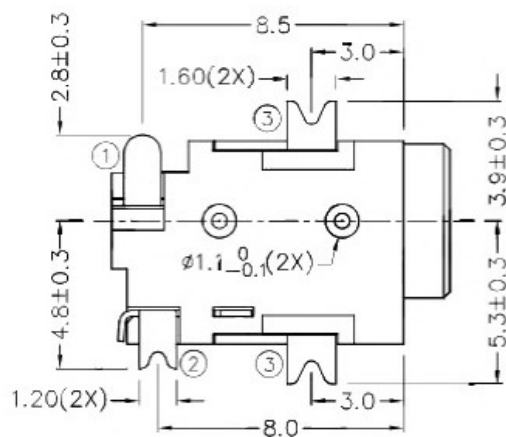
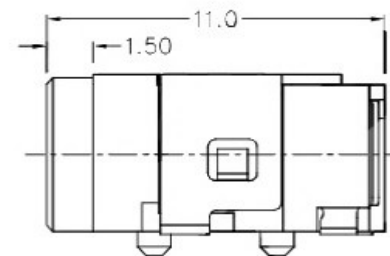
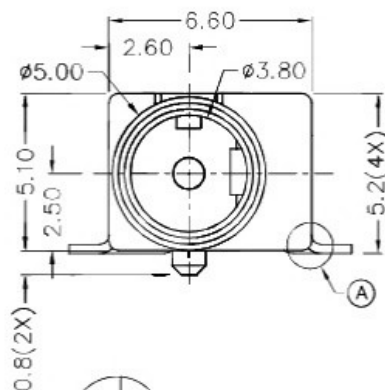
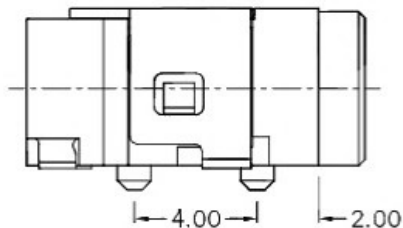
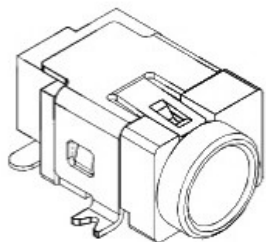
C

B

A

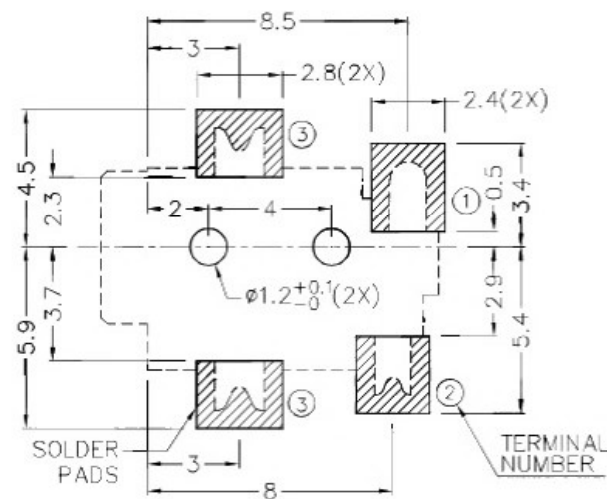
RoHS  
Compliant

| ZONE | SYMBOL | REVISION                              | APPROVAL  | DATE      |
|------|--------|---------------------------------------|-----------|-----------|
|      |        | ADJUST THE RECOMMENDED DC MATING PLUG | J.X.KUANG | 8-10-2019 |
|      |        |                                       |           |           |



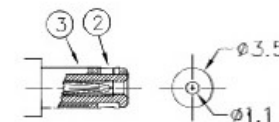
\* MATERIAL

TERMINAL 1 : BRASS  
TERMINAL 2 : COPPER ALLOY  
TERMINAL 3 : COPPER ALLOY  
HOUSING : HIGH TEMP. PLASTIC



RECOMMENDED PCB LAYOUT  
TOLERANCE: ±0.05  
(TOP VIEW)

|            |          |
|------------|----------|
| SCHEMATIC  |          |
| CENTER PIN | φ1.000mm |



RECOMMENDED  
DC MATING PLUG

广东科斯达开关厂

|           |                     |                      |                        |       |    |
|-----------|---------------------|----------------------|------------------------|-------|----|
| PART NAME | SMD DC POWER SOCKET | TOLFRANCE UNLESS     | 0.0±0.2                | UNIT: | mm |
| PART NO.  |                     | OTHERWISE SPECIFIED: | 0.00±0.1<br>0.000±0.05 |       |    |

|          |          |      |            |          |                 |
|----------|----------|------|------------|----------|-----------------|
| DESIGN   | J.JIANG  | DATE | 15-10-2004 | SCALE    | 4:1             |
| DRAWING  | H.Q.ZHOU | DATE | 8-10-2019  | MATERIAL | *               |
| CHFCCK   | H.L.TAN  | DATE | 8-10-2019  | DWG. NO. | TZ\DC060D-A/1.1 |
| APPROVAL |          | DATE |            | SHEET    |                 |

F

E

D

C

B

A