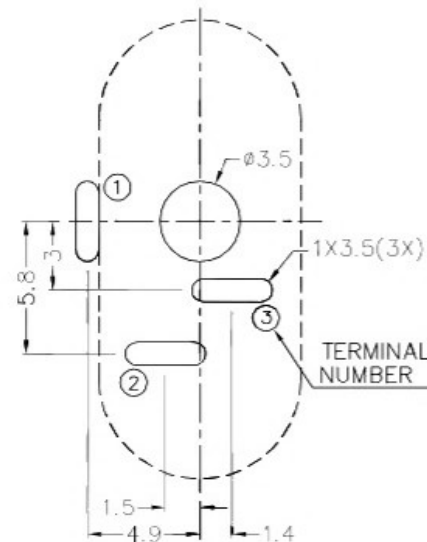
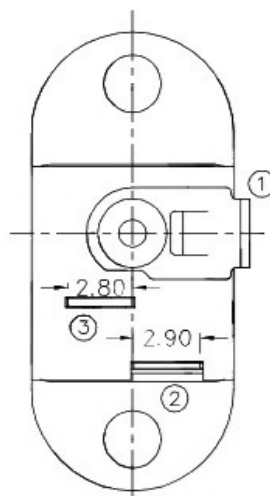
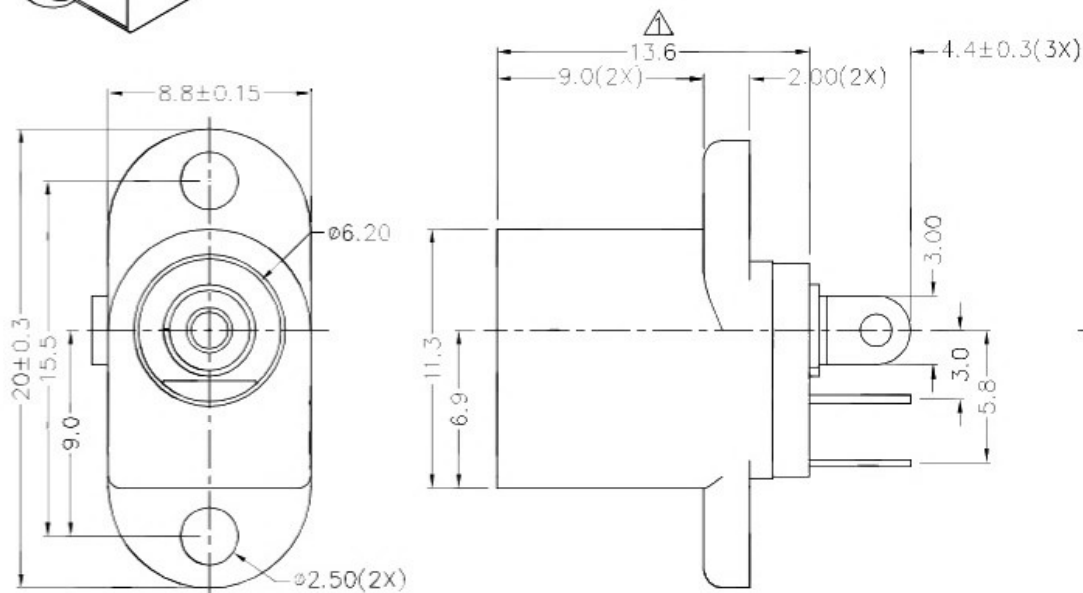


RoHS  
Compliant

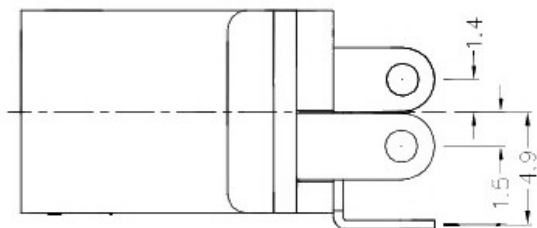
ZONE	SYMBOL	REVISION	APPROVAL	DATE
D1	△	13.6(2X) MODIFIED TO 13.6	J.X.KUANG	23-7-2021



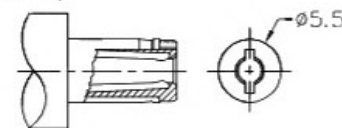
RECOMMENDED PCB LAYOUT  
TOLERANCE:  $\pm 0.05$   
(TOP VIEW)

\* MATERIAL

CENTRE PIN : COPPER  
 TERMINAL 1 : BRASS  
 TERMINAL 2 : COPPER ALLOY  
 TERMINAL 3 : BRASS  
 HOUSING : THERMOPLASTIC  
 COVER : THERMOPLASTIC



SCHEMATIC	
CENTER PIN	$\phi 2.000\text{mm}$ $\phi 2.5^{+0}_{-0.1}\text{mm}$



RECOMMENDED  
DC MATING PLUG

广东科斯达开关厂

PART NAME	DC POWER SOCKET	TOLERANCE UNLESS	$0.0 \pm 0.2$	UNIT:	
PART NO.		OTHERWISE SPECIFIED:	$0.00 \pm 0.1$ $0.000 \pm 0.05$	mm	

DESIGN	J.X.KUANG	DATE	9-10-2003	SCALE	3:1
DRAWING	R.L.CHEN	DATE	23-7-2021	MATERIAL	*
CHECK	T.Y.LI	DATE	23-7-2021	DWG. NO.	TZ\DC019-B/2.1
APPROVAL		DATE		SHEET	1/1