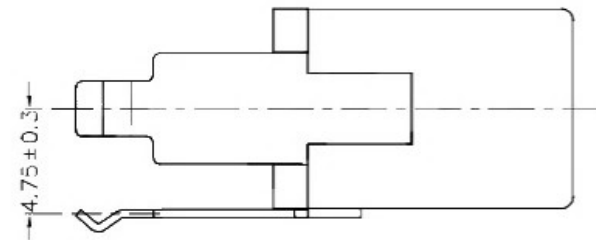
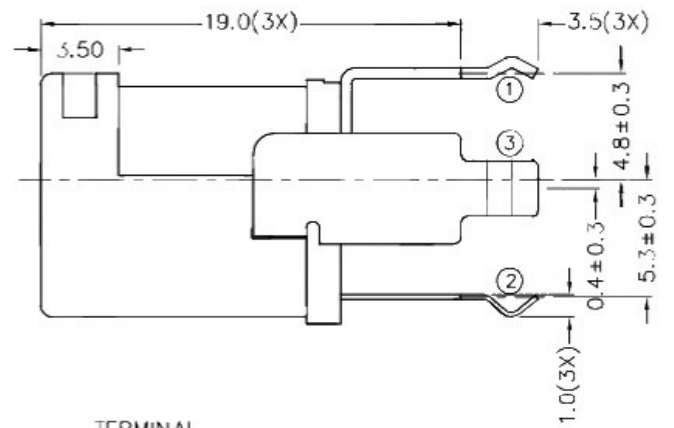
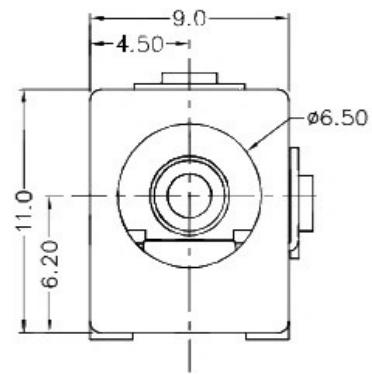
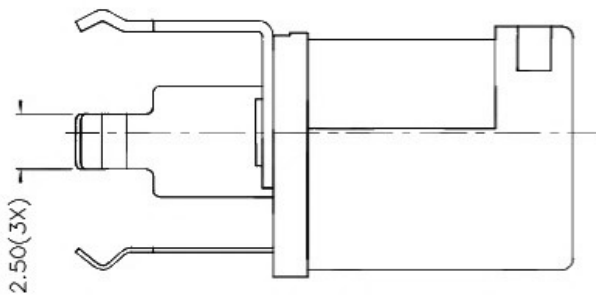
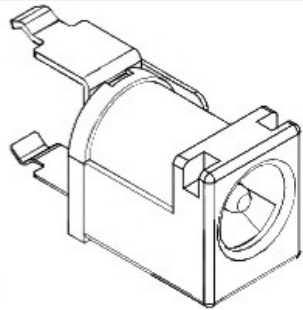
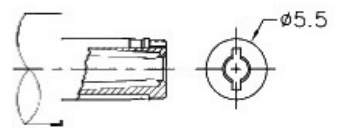
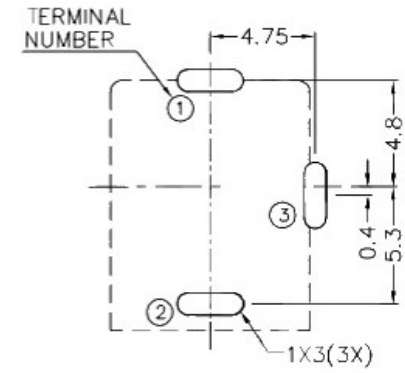


C		B		A	
ZONE	SYMBOL	REVISION		APPROVAL	DATE

**RoHS**  
Compliant!



\* MATERIAL  
 CENTRE PIN : COPPER  
 TERMINAL 1 : BRASS  
 TERMINAL 2 : COPPER ALLOY  
 TERMINAL 3 : BRASS  
 HOUSING : THERMOPLASTIC  
 COVER : THERMOPLASTIC



DC MATE PLUG

MODEL NO.	
SCHEMATIC	
CENTER PIN	$\phi 2\text{mm}$
	$\phi 2.35\text{mm}$
	$\phi 2.5\text{mm}$

**广东科斯达开关厂**

DESIGN	J.JIANG	DATE	4-6-2004	SCALE	3:1
DRAWING	T.Y.LI	DATE	22-9-2016	MATERIAL	*
CHECK	H.L.TAN	DATE	22-9-2016	DWG. NO.	IZ\DC006-B/.0
APPROVAL		DATE	23-9-2016	SHEET	

PART NAME	DC POWER SOCKET	TOLERANCE UNLESS	0.0±0.2	UNIT:	
PART NO.		OTHERWISE SPECIFIED:	0.00±0.1 0.000±0.05	mm	