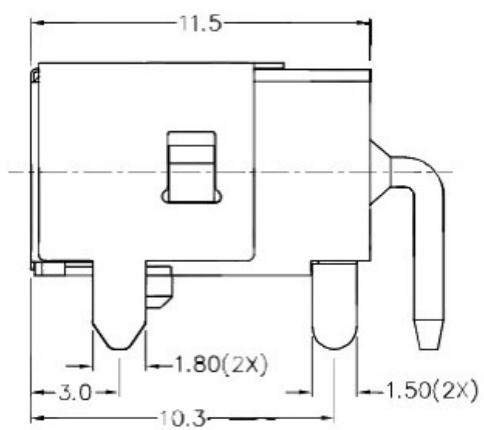
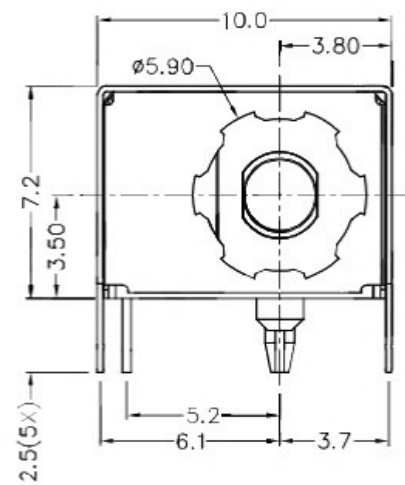


DC MATE PLUG

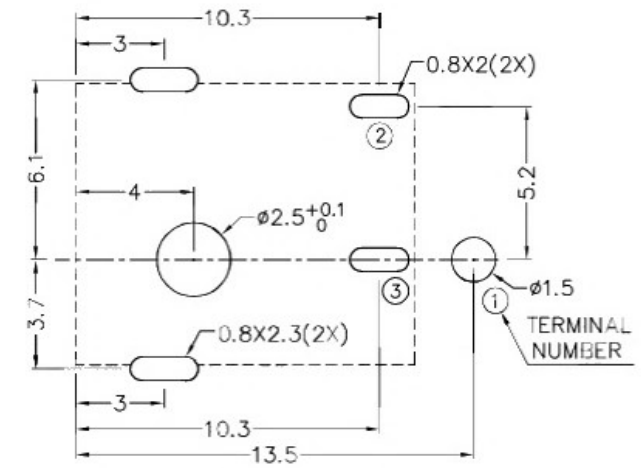
RoHS  
Compliant



\*MATERIAL

- TERMINAL 1 : BRASS
- TERMINAL 2 : COPPER ALLOY
- TERMINAL 3 : BRASS
- STOPPER : C.R.STEEL
- SHIELD-A : BRASS
- SHIELD-B : STAINLESS STEEL
- HOUSING : HIGH TEMP. PLASTIC

SCHEMATIC	
CENTER PIN	ø2mm ø2.5mm



RECOMMENDED PCB LAYOUT  
TOLERANCE: ±0.05  
(TOP VIEW)

ZONE	SYMBOL	REVISION	APPROVAL	DATE

广东科斯达开关厂

PART NAME	HIGH CURRENT DC POWER SOCKET	TOLERANCE UNLESS	0.0±0.2	UNIT:
PART NO.		OTHERWISE SPECIFIED:	0.00±0.1 0.000±0.05	

DESIGN	T.Y.LI	DATE	31-8-2009	SCALE	4:1
DRAWING	J.CH.OU	DATE	16-8-2016	MATERIAL	*
CHECK	H.L.TAN	DATE	16-8-2016	DWG. NO.	IZ\DC083HS-A/1.0
APPROVAL		DATE	16-8-2016	SHEET	