

F

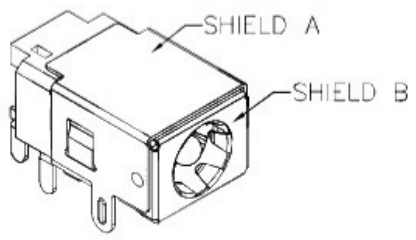
E

D

C

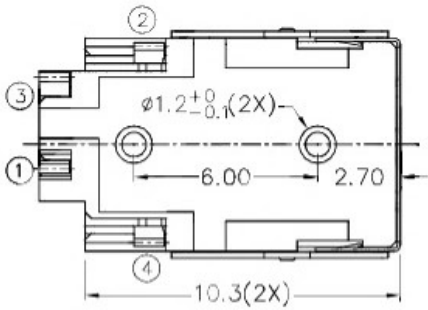
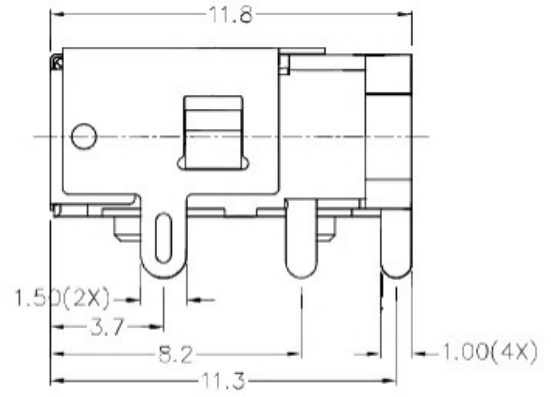
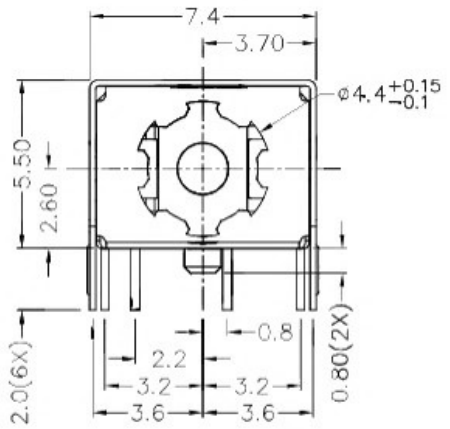
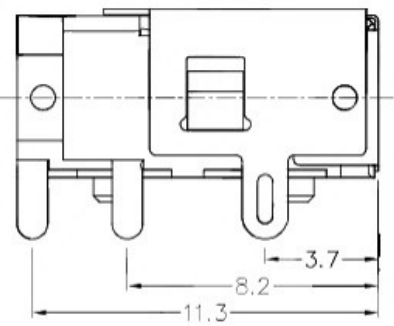
B

A

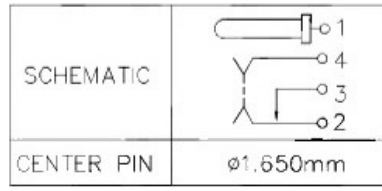
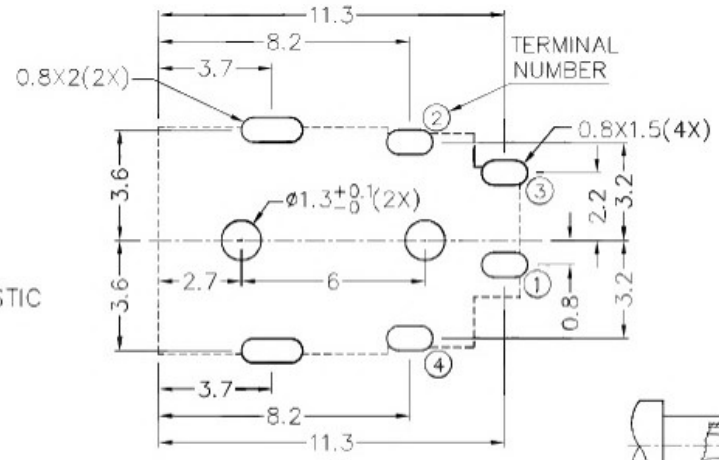


RoHS
Compliant

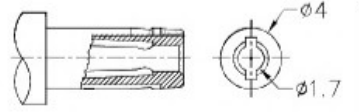
ZONE	SYMBOL	REVISION	APPROVAL	DATE
		ADJUST THE RECOMMENDED DC MATING PLUG	J.X.KUANG	8-10-2019



*** MATERIAL**
 TERMINAL 1 : BRASS
 TERMINAL 2 : COPPER ALLOY
 TERMINAL 3 : BRASS
 TERMINAL 4 : COPPER ALLOY
 SHIELD A : BRASS
 SHIELD B : STAINLESS STEEL
 HOUSING : HIGH TEMP. PLASTIC



RECOMMENDED PCB LAYOUT
TOLERANCE: ±0.05
(TOP VIEW)



RECOMMENDED
DC MATING PLUG

广东科斯达开关厂

DESIGN	H.L.TAN	DATE	12-1-2017	SCALE	4:1
DRAWING	H.Q.ZHOU	DATE	8-10-2019	MATERIAL	*
CHFC	T.Y.LI	DATE	8-10-2019	DWG. NO.	TZ\DC114HS-A/1.1
APPROVAL		DATE		SHEET	

PART NAME	HIGH CURRENT DC POWER SOCKET	TOLFRANCE UNLESS	0.0±0.2	UNIT:	mm
PART NO.		OTHERWISE SPECIFIED:	0.00±0.1 0.000±0.05		

F

E

D

C

B

A