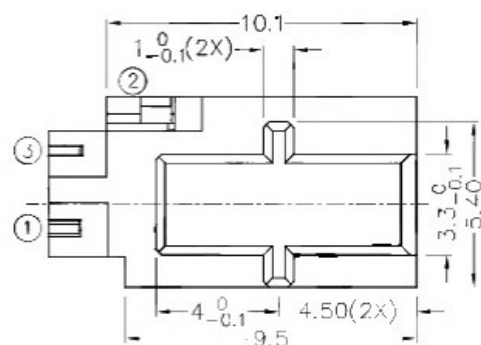
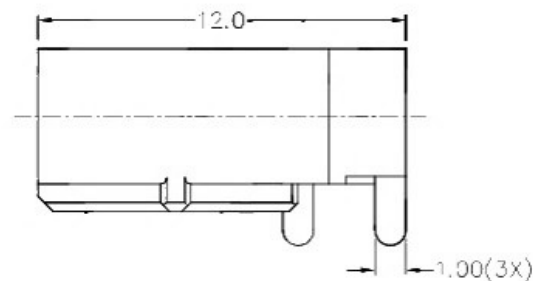
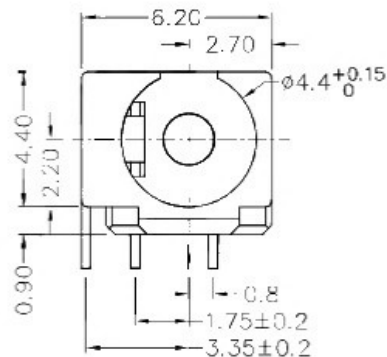
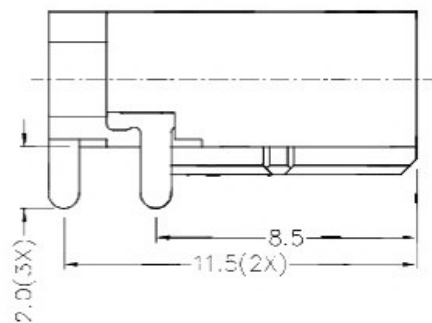


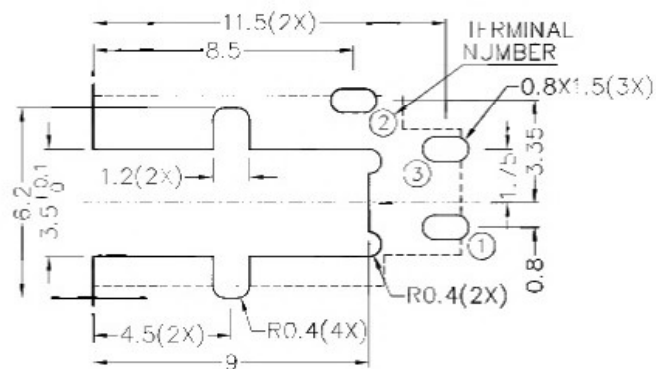
RoHS  
Compliant

ZONE	SYMBOL	REVISION	APPROVAL	DATE
		ADJUST THE RECOMMENDED DC	J.X.KUANG	8 10 2019
		MATING PLUG		



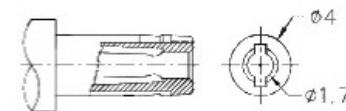
\* MATERIAL

TERMINAL 1 : BRASS  
 TERMINAL 2 : COPPER ALLOY  
 TERMINAL 3 : BRASS  
 HOUSING : THERMOPLASTIC



RECOMMENDED PCB LAYOUT  
 TOLERANCE: ±0.05  
 (TOP VIEW)

MODEL NO.	
SCHEMATIC	
CENTER PIN	∅1.650mm



RECOMMENDED  
 DC MATING PLUG

广东科斯达开关厂

PART NAME	DC POWER SOCKET	TOLERANCE UNLESS	0.0±0.2	UNIT:	
PART NO.		OTHERWISE SPECIFIED:	0.00±0.1 0.000±0.05	mm	

DESIGN	G.P.YI	DATE	18-11-2009	SCALE	4:1
DRAWING	H.Q.ZHOU	DATE	8-10-2019	MATERIAL	*
CHK	T.Y.LI	DATE	8-10-2019	DWG. NO.	TZ\DC087-B/1.1
APPROVAL		DATE		SHEET	