

F

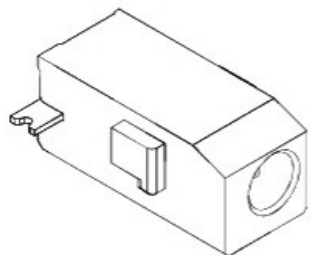
E

D

C

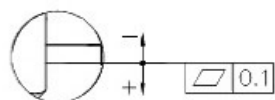
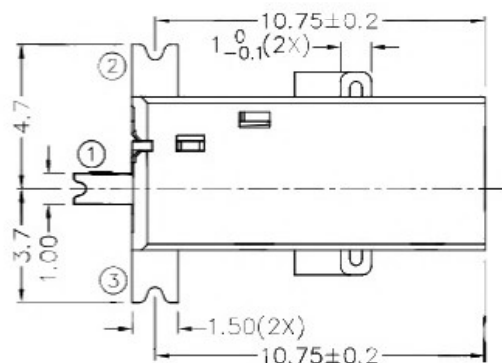
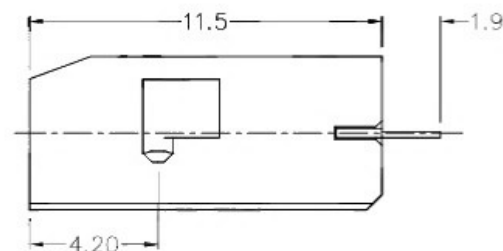
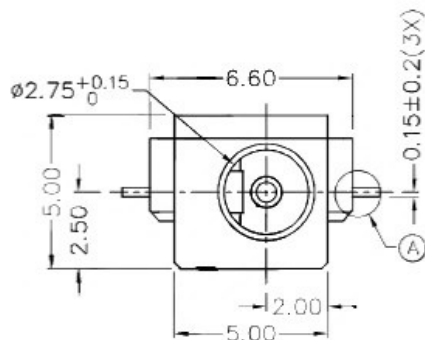
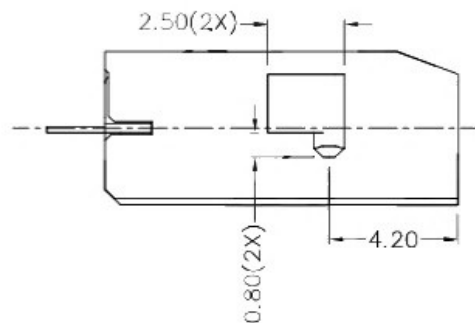
B

A



RoHS
Compliant

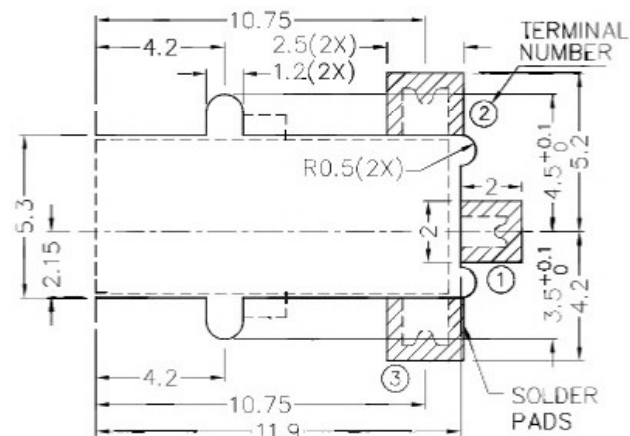
ZONE	SYMBOL	REVISION	APPROVAL	DATE
		ADJUST THE RECOMMENDED DC MATING PLUG	J.X.KUANG	8-10-2019



A DETAIL COPLANARITY

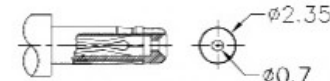
* MATERIAL

TERMINAL 1 : BRASS
TERMINAL 2 : COPPER ALLOY
TERMINAL 3 : BRASS
HOUSING : HIGH TEMP. PLASTIC



RECOMMENDED PCB LAYOUT
TOLERANCE: ± 0.05
(TOP VIEW)

SCHEMATIC	
CENTER PIN	$\phi 0.650\text{mm}$



RECOMMENDED
DC MATING PLUG

广东科斯达开关厂

PART NAME	HIGH CURRENT SMD DC POWER SOCKET	TOLFRANCE UNLESS	0.0±0.2 0.00±0.1	UNIT:	
PART NO.		OTHERWISE SPECIFIED:	0.000±0.05	mm	

DESIGN	CH.XIONG	DATE	15-11-2011	SCALE	4:1
DRAWING	H.Q.ZHOU	DATE	8-10-2019	MATERIAL	*
CHFC	T.Y.LI	DATE	8-10-2019	DWG. NO.	TZ\DC097DH-A/1.1
APPROVAL		DATE		SHEET	

F

E

D

C

B

A