

F

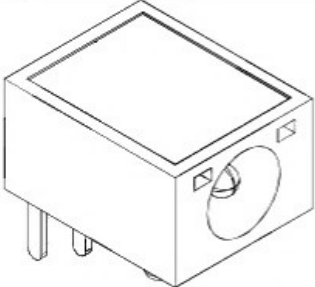
E

D

C

B

A



RoHS  
Compliant

ZONE	SYMBOL	REVISION	APPROVAL	DATE
		INSULATOR MATERIAL CHANGED TO HIGH TEMP. PLASTIC.	J.X.KUANG	27-9-2019

1

1

2

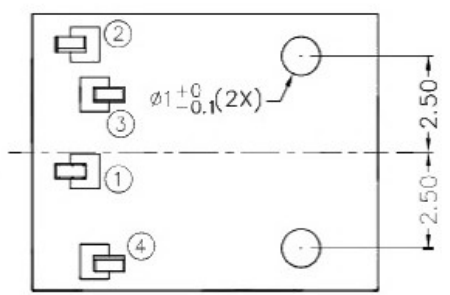
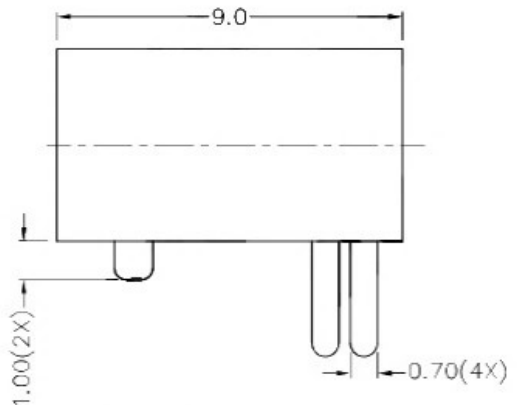
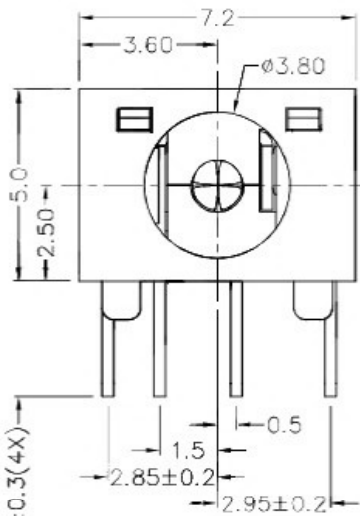
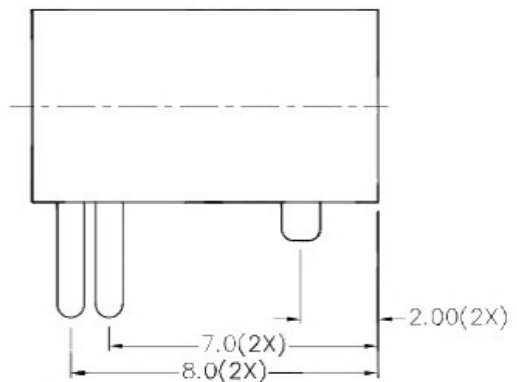
2

3

3

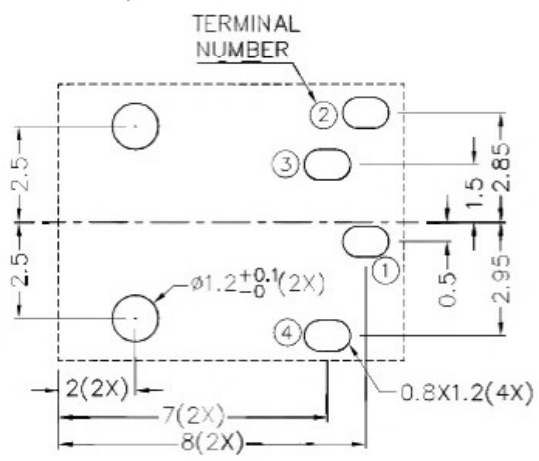
4

4

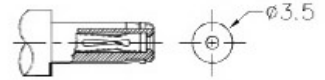


\* MATERIAL

- TERMINAL 1 : BRASS
- TERMINAL 2 : COPPER ALLOY
- TERMINAL 3 : BRASS
- TERMINAL 4 : COPPER ALLOY
- HOUSING : THERMOPLASTIC
- COVER : THERMOPLASTIC
- INSULATOR : HIGH TEMP. PLASTIC



RECOMMENDED PCB LAYOUT  
TOLERANCE: ±0.05  
(TOP VIEW)



RECOMMENDED  
DC MATING PLUG

SCHEMATIC		2
		1
CENTER PIN		3
		4
		ø1.000mm
		ø1.300mm

广东科斯达开关厂

PART NAME	DC POWER SOCKET	TOLERANCE UNLESS	0.0±0.2	UNIT:	
PART NO.		OTHERWISE SPECIFIED:	0.00±0.1 0.000±0.05	mm	

DESIGN	T.Y.LI	DATE	26-2-2004	SCALE	5:1
DRAWING	H.Q.ZHOU	DATE	27-9-2019	MATERIAL	*
CHECK	H.L.TAN	DATE	27-9-2019	DWG. NO.	TZ\DC052-B/2.0
APPROVAL		DATE		SHEET	

F

E

D

C

B

A