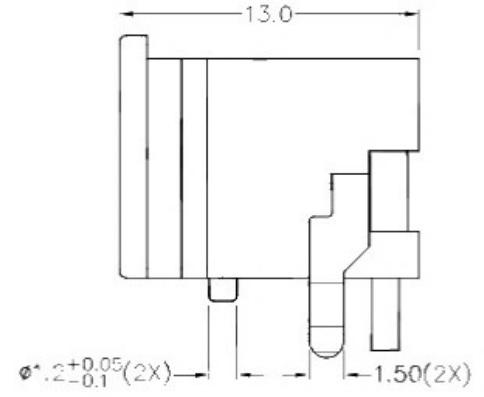
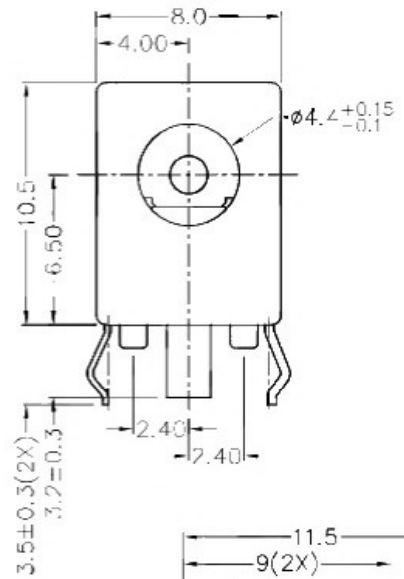
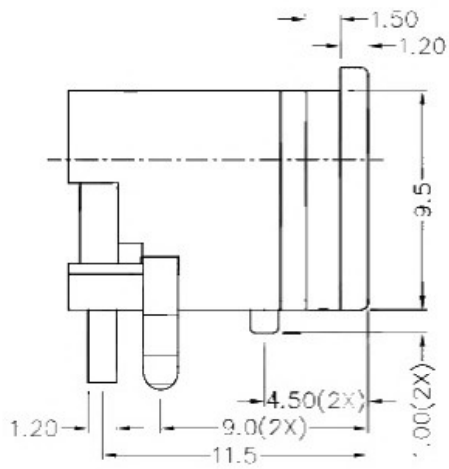
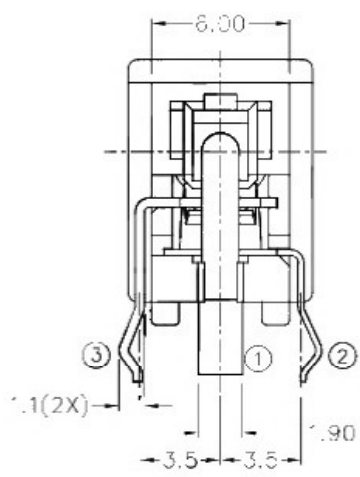
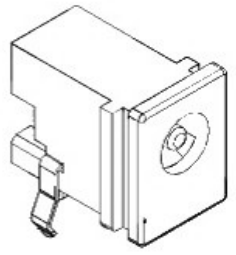
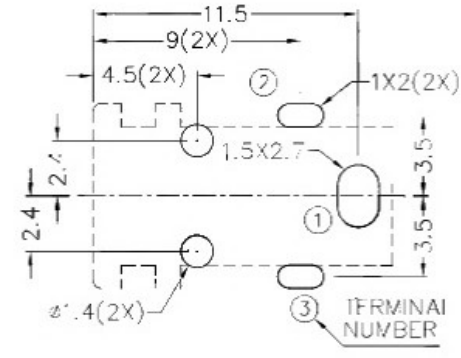
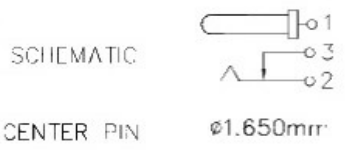


ZONE	SYMBOL	REVISION	APPROVAL	DATE
		ADJUST THE RECOMMENDED DC MATING PLUG	J.X.KUANG	8 10 2019

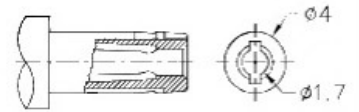
RoHS  
Compliant



\* MATERIAL  
 TERMINAL 1 : COPPER  
 TERMINAL 2 : COPPER ALLOY  
 TERMINAL 3 : BRASS  
 HOUSING : THERMOPLASTIC



RECOMMENDED PCB LAYOUT  
 TOLERANCE: ±0.05  
 (TOP VIEW)



RECOMMENDED  
 DC MATING PLUG

广东科斯达开关厂

DESIGN	G.P.YI	DATE	25-9-2007	SCALE	3:1
DRAWING	H.Q.ZHOU	DATE	8-10-2019	MATERIAL	*
CHK/CK	T.Y.LI	DATE	8-10-2019	DWG. NO.	TZ\DC071-B/1.1
APPROVAL		DATE		SHEET	

PART NAME	DC POWER SOCKET	TOI FRANCE UNIFSS	0.0±0.2 0.00±0.1	UNIT:	
PART NO.		OTHERWISE SPECIFIED:	0.000±0.05		