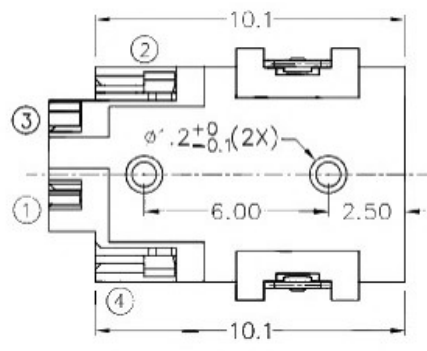
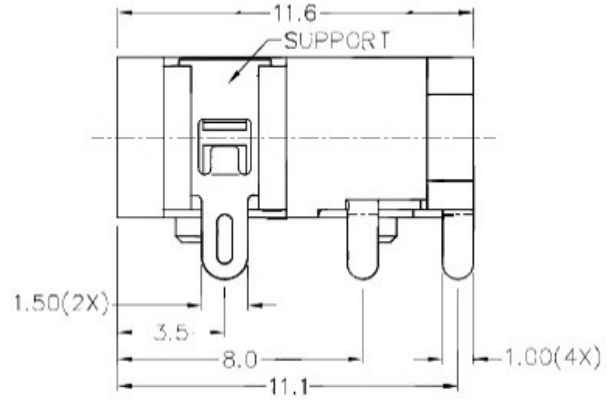
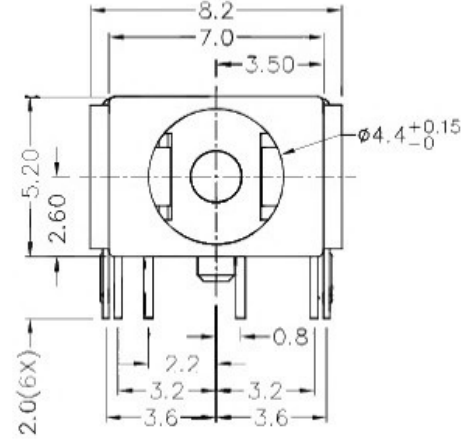
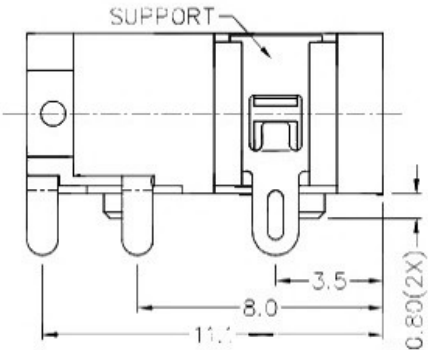
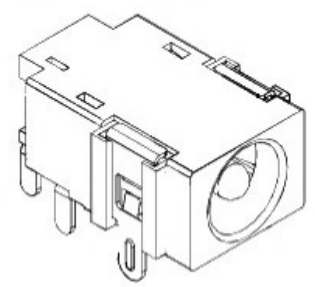
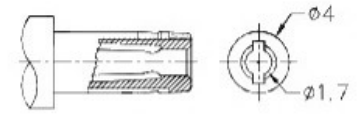
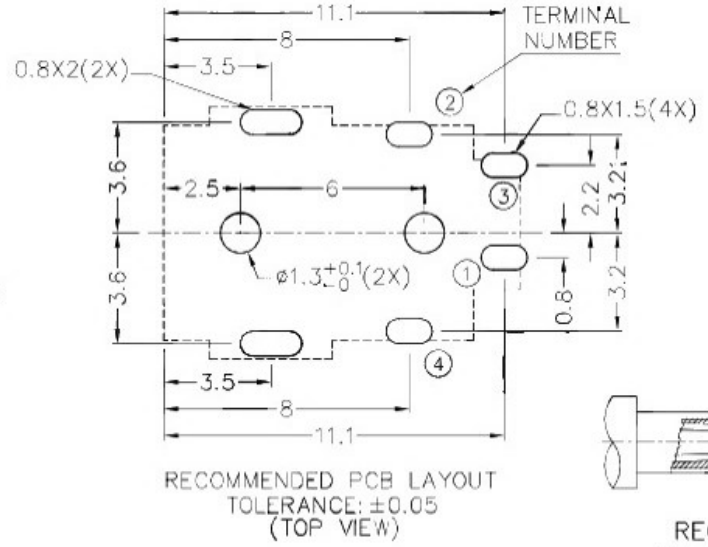
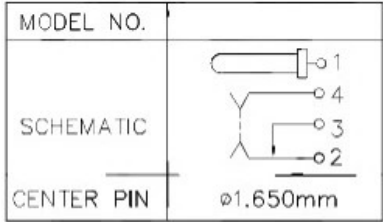


ZONE	SYMBOL	REVISION	APPROVAL	DATE
		ADJUST THE RECOMMENDED DC	J.X.KUANG	8-10-2019
		MATING PLUG		

RoHS
Compliant



*** MATERIAL**
 TERMINAL 1 : BRASS
 TERMINAL 2 : COPPER ALLOY
 TERMINAL 3 : BRASS
 TERMINAL 4 : COPPER ALLOY
 SUPPORT : BRASS
 HOUSING : THERMOPLASTIC



广东科斯达开关厂

DESIGN	G.P.YI	DATE	19-10-2010	SCALE	4:1
DRAWING	H.Q.ZHOU	DATE	8-10-2019	MATERIAL	*
CHFK	T.Y.LI	DATE	8-10-2019	DWG. NO.	TZ\DC090-B/1.1
APPROVAL		DATE		SHEET	

PART NAME	DC POWER SOCKET	TOLFRANCE UNLESS	0.0±0.2	UNIT:	
PART NO.		OTHERWISE SPECIFIED:	0.00±0.1 0.000±0.05	mm	