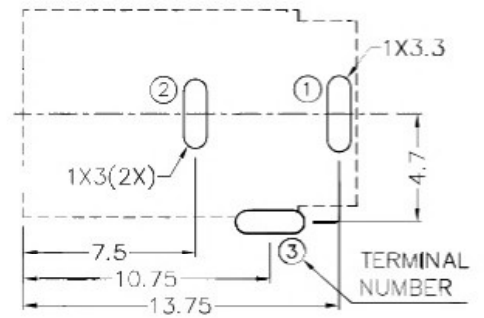
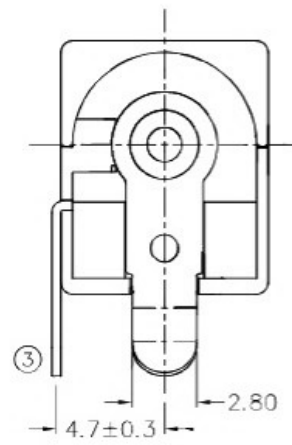
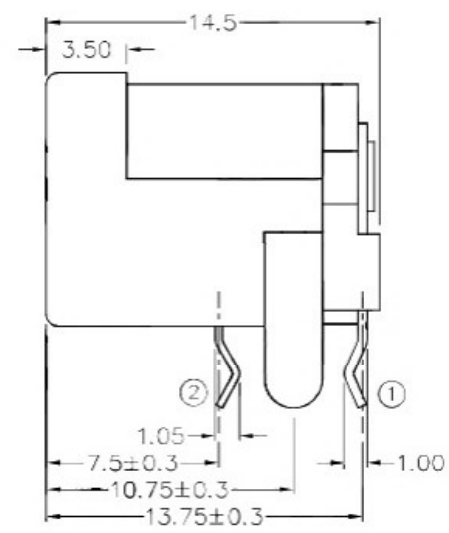
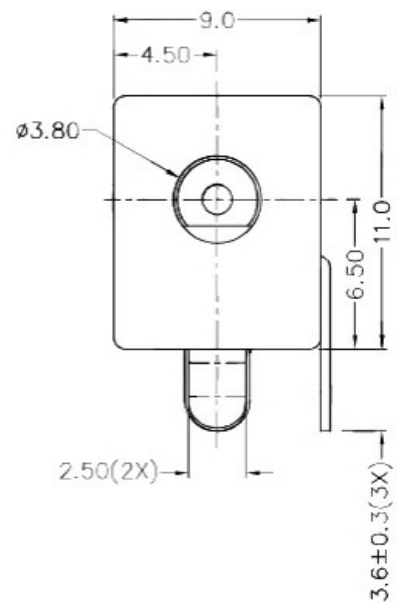


ZONE	SYMBOL	REVISION	APPROVAL	DATE
		ADJUST THE RECOMMENDED DC	J.X.KUANG	8-10-2019
		MATING PLUG		

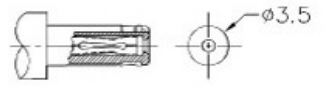
RoHS  
Compliant



RECOMMENDED PCB LAYOUT  
TOLERANCE: ±0.05  
(TOP VIEW)

MODEL NO.	
SCHEMATIC	
CENTER PIN	∅1.000mm
	∅1.300mm

\* MATERIAL  
 CENTRE PIN : COPPER  
 TERMINAL 1 : BRASS  
 TERMINAL 2 : COPPER ALLOY  
 TERMINAL 3 : BRASS  
 HOUSING : THERMOPLASTIC  
 COVER : THERMOPLASTIC



RECOMMENDED  
DC MATING PLUG

广东科斯达开关厂

PART NAME	DC POWER SOCKET	TOLFRANCE UNLESS	0.0±0.2	UNIT:		DESIGN	T.Y.LI	DATE	19-5-2005	SCALE	3:1
PART NO.		OTHERWISE SPECIFIED:	0.00±0.1 0.000±0.05	mm		DRAWING	H.Q.ZHOU	DATE	8-10-2019	MATERIAL	*
						CHFC	H.L.TAN	DATE	8-10-2019	DWG. NO.	TZ\DC045-2-B/1.1
						APPROVAL		DATE		SHEET	