

F

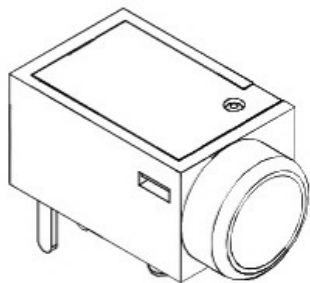
E

D

C

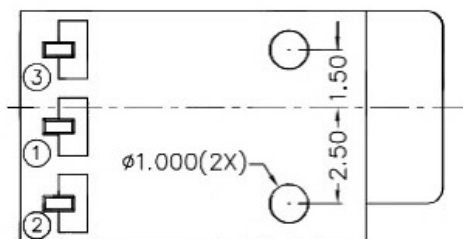
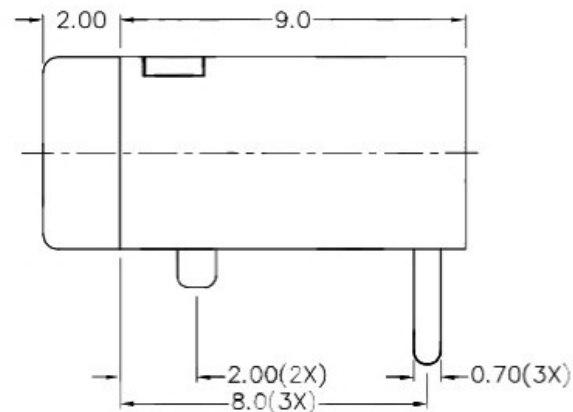
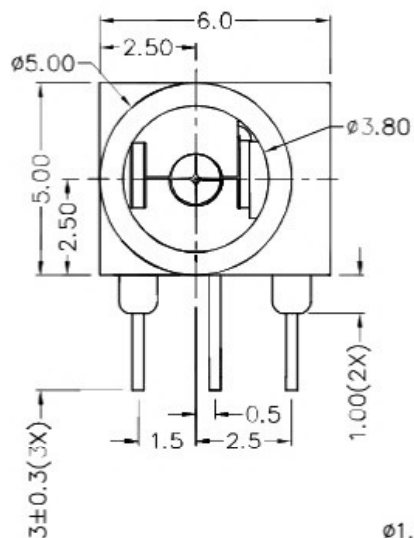
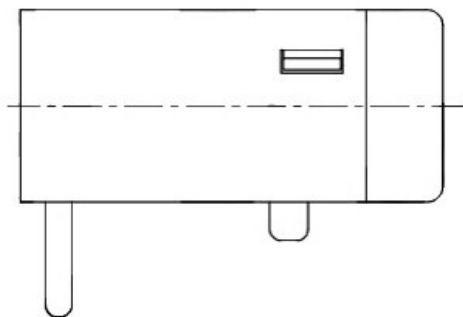
B

A



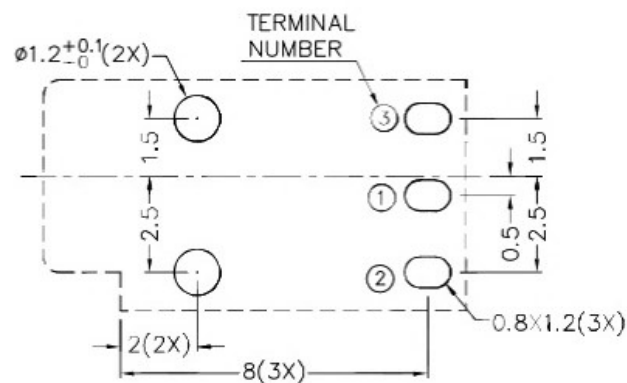
RoHS  
Compliant

ZONE	SYMBOL	REVISION	APPROVAL	DATE
		ADJUST THE RECOMMENDED DC MATING PLUG	J.X.KUANG	8-10-2019



\* MATERIAL

TERMINAL 1 : BRASS  
 TERMINAL 2 : COPPER ALLOY  
 TERMINAL 3 : BRASS  
 HOUSING : THERMOPLASTIC  
 COVER : THERMOPLASTIC



RECOMMENDED PCB LAYOUT  
 TOLERANCE: ±0.05  
 (TOP VIEW)



RECOMMENDED  
 DC MATING PLUG

SCHEMATIC	
CENTER PIN	$\phi 1.000\text{mm}$ $\phi 1.300\text{mm}$

广东科斯达开关厂

PART NAME	DC POWER SOCKET	TOLERANCE UNLESS	0.0±0.2	UNIT:		DESIGN	T.Y.LI	DATE	13-6-2005	SCALE	5:1
PART NO.		OTHERWISE SPECIFIED:	0.00±0.1 0.000±0.05	mm		DRAWING	H.Q.ZHOU	DATE	8-10-2019	MATERIAL	*
						CHECK	H.L.TAN	DATE	8-10-2019	DWG. NO.	TZ\DC022-B/1.3
						APPROVAL		DATE	14-10-2019	SHEET	

F

E

D

C

B

A