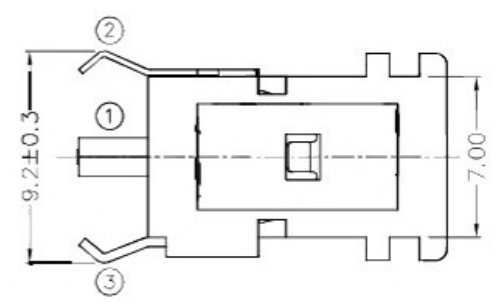
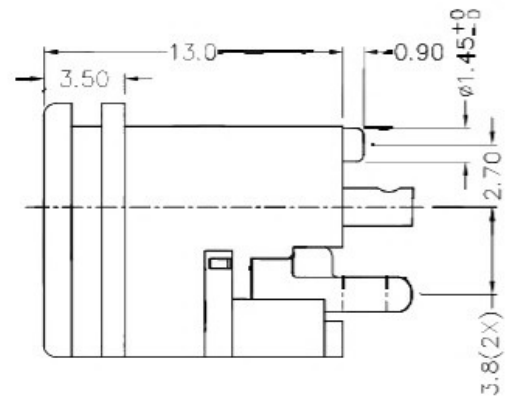
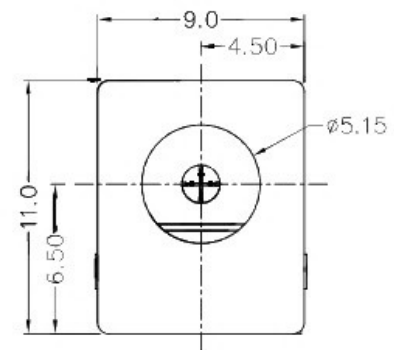
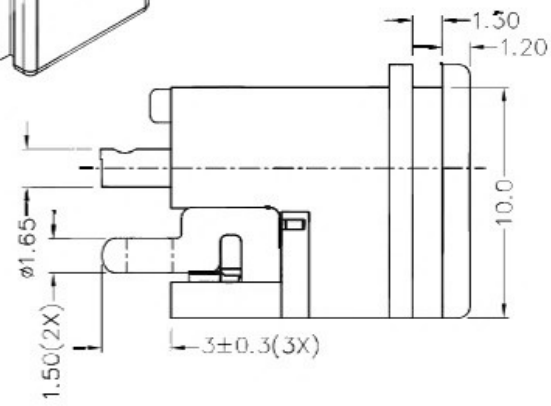
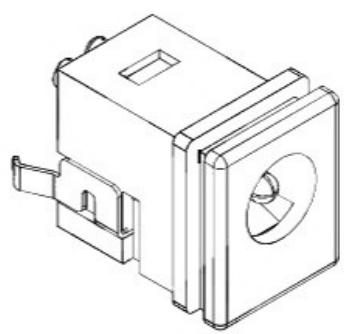
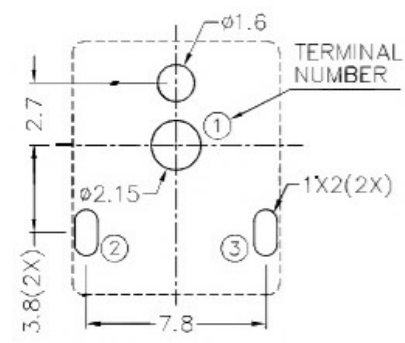


ZONE	SYMBOL	REVISION	APPROVAL	DATE
		ADJUST THE RECOMMENDED DC MATING PLUG	J.X.KUANG	8-10-2019

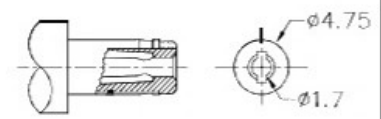
RoHS  
Compliant



**\* MATERIAL**  
 TERMINAL 1 : BRASS  
 TERMINAL 2 : COPPER ALLOY  
 TERMINAL 3 : BRASS  
 HOUSING : THERMOPLASTIC



RECOMMENDED PCB LAYOUT  
 TOLERANCE: ±0.05  
 (TOP VIEW)



RECOMMENDED  
 DC MATING PLUG

SCHEMATIC	
CENTRE PIN	φ1.650mm

广东科斯达开关厂

PART NAME	DC POWER SOCKET	TOLERANCE UNLESS	0.0±0.2	UNIT:		DESIGN	T.Y.LI	DATE	10-10-2003	SCALE	3:1
PART NO.		OTHERWISE SPECIFIED:	0.00±0.1	mm		DRAWING	H.Q.ZHOU	DATE	8-10-2019	MATERIAL	*
			0.000±0.05		CHECK	H.L.TAN	DATE	8-10-2019	DWG. NO.	TZ\DC036-B/2.1	
					APPROVAL		DATE		SHEET		