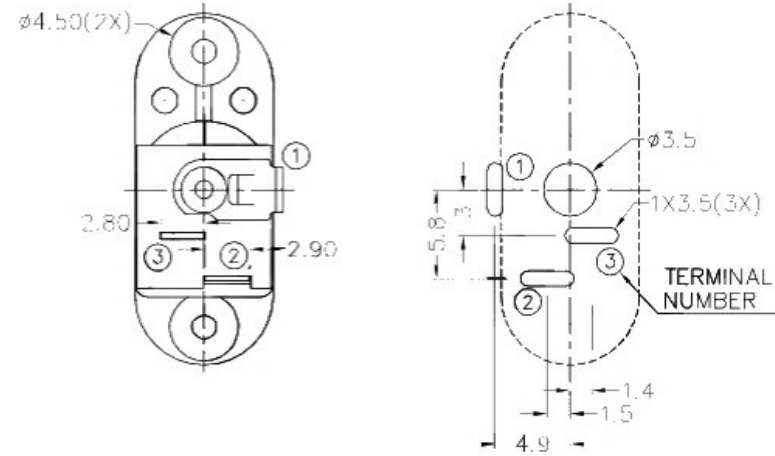
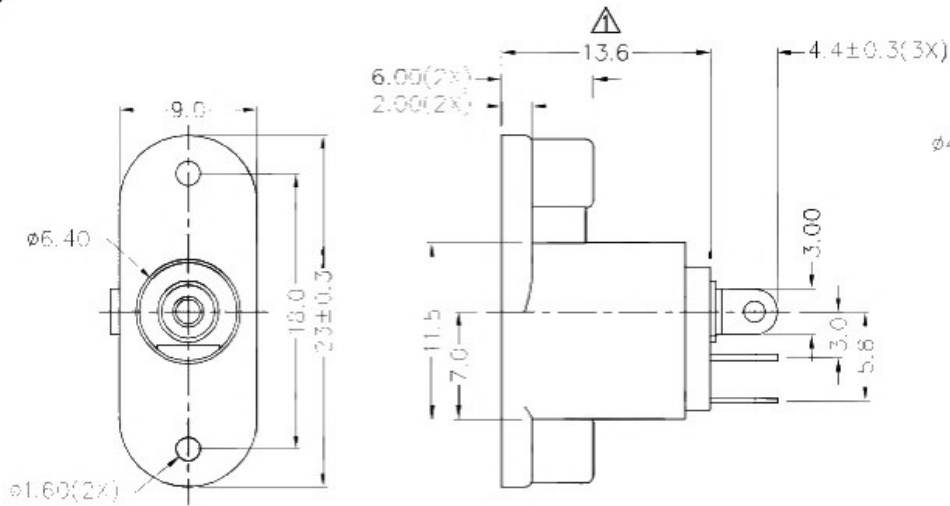
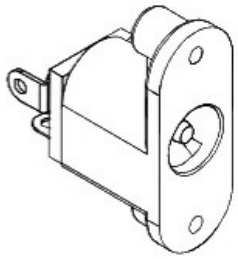


ZONE	SYMBOL	REVISION	APPROVAL	DATE
D1	△	13.6(2X) MODIFIED TO 13.6	J.X.KUANG	23-7-2021

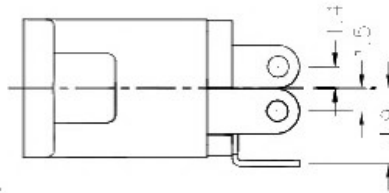
RoHS
Compliant



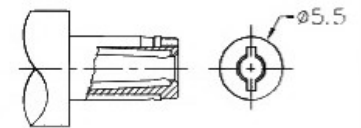
RECOMMENDED PCB LAYOUT
TOLERANCE: ± 0.05
(TOP VIEW)

* MATERIAL

CENTRE PIN : COPPER
TERMINAL 1 : BRASS
TERMINAL 2 : COPPER ALLOY
TERMINAL 3 : BRASS
HOUSING : THERMOPLASTIC
COVER : THERMOPLASTIC



SCHEMATIC	
CENTER PIN	$\phi 2.000\text{mm}$
	$\phi 2.350\text{mm}$
	$\phi 2.5^{+0}_{-0.1}\text{mm}$



RECOMMENDED
DC MATING PLUG

广东科斯达开关厂

DESIGN	T.Y.LI	DATE	9-10-2003	SCALE	2:1
DRAWING	C.L.YANG	DATE	23-7-2021	MATERIAL	*
CHECK	H.L.TAN	DATE	23-7-2021	DWG. NO.	TZ\DC020-B/2.1
APPROVAL		DATE		SHEET	1/1

PART NAME	DC POWER SOCKET	TOLERANCE UNLESS	0.0 ± 0.2	UNIT:	
PART NO.		OTHERWISE SPECIFIED:	0.00 ± 0.1 0.000 ± 0.05	mm	