

F

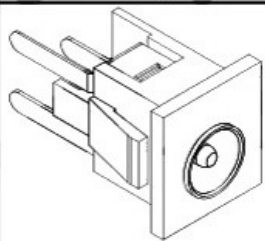
E

D

C

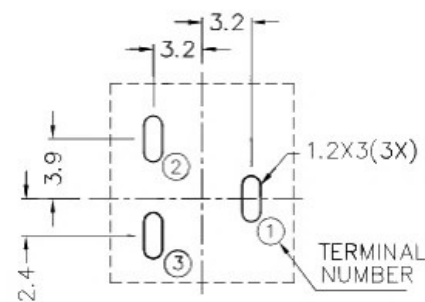
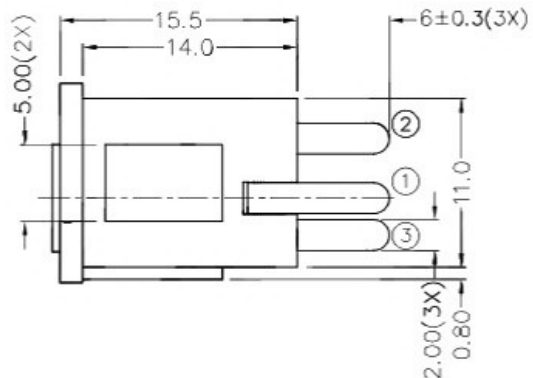
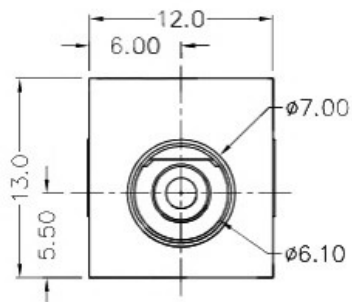
B

A

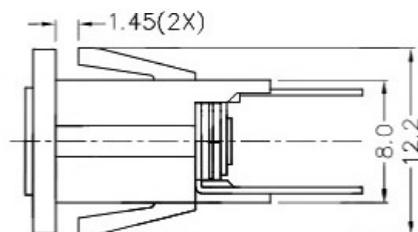


RoHS
Compliant

ZONE	SYMBOL	REVISION	APPROVAL	DATE



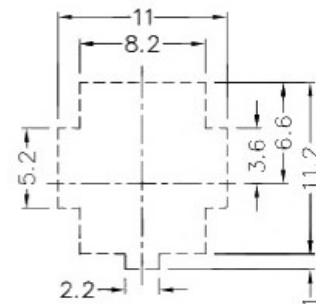
RECOMMENDED PCB LAYOUT
TOLERANCE: ± 0.05
(TOP VIEW)



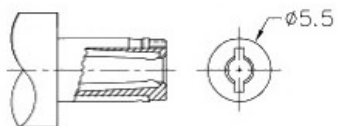
* MATERIAL

CENTRE PIN : COPPER
TERMINAL 1 : BRASS
TERMINAL 2 : COPPER ALLOY
TERMINAL 3 : BRASS
HOUSING : THERMOPLASTIC
INSULATOR : THERMOPLASTIC

MODEL NO.	
SCHEMATIC	
CENTER PIN	$\phi 2\text{mm}$
	$\phi 2.5\text{mm}$



PANEL CUT OUT
TOLERANCE: ± 0.05
(TOP VIEW)



DC MATE PLUG

广东科斯达开关厂

DESIGN	J.M.KWAN	DATE	9-10-2003	SCALE	2:1
DRAWING	T.Y.LI	DATE	21-11-2016	MATERIAL	*
CHECK	H.L.TAN	DATE	21-11-2016	DWG. NO.	TZ\DC012-B/1.0
APPROVAL		DATE		SHEET	

PART NAME	DC POWER SOCKET	TOLERANCE UNLESS	0.0 \pm 0.2	UNIT:
PART NO.		OTHERWISE SPECIFIED:	0.00 \pm 0.1 0.000 \pm 0.05	

F

E

D

C

B

A