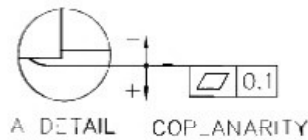
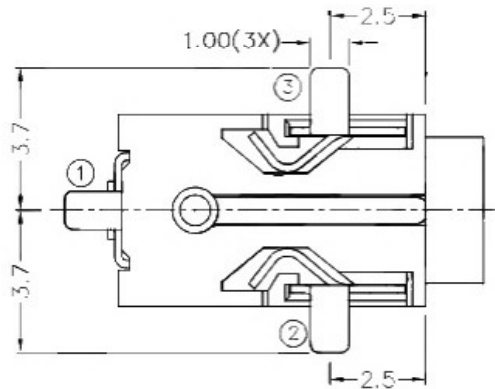
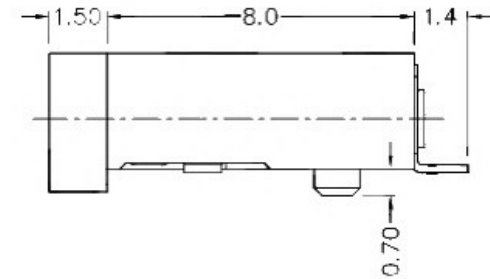
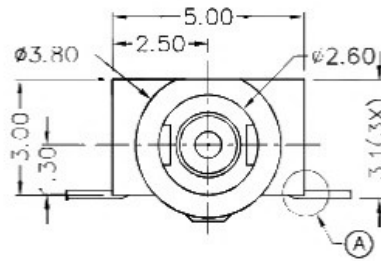
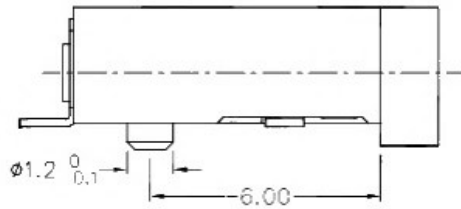


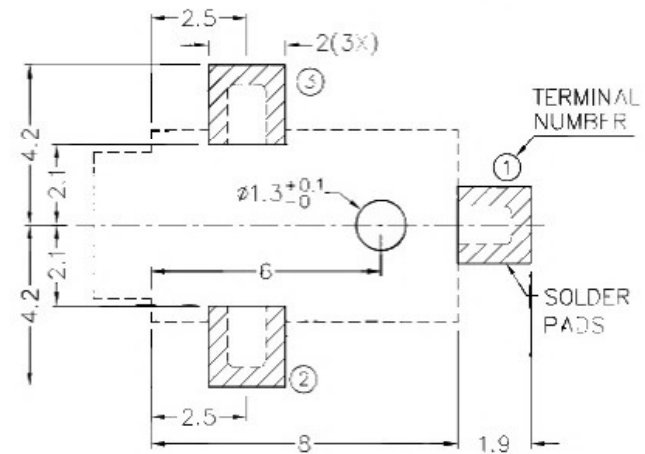
RoHS
Compliant

ZONE	SYMBOL	REVISION	APPROVAL	DATE
		ADJUST THE RECOMMENDED DC MATING PLUG	J.X.KUANG	8-10-2019



* MATERIAL

CENTRE PIN : COPPER
 TERMINAL 1 : BRASS
 TERMINAL 2 : COPPER ALLOY
 TERMINAL 3 : COPPER ALLOY
 HOUSING : HIGH TEMP. PLASTIC



RECOMMENDED PCB LAYOUT
 TOLERANCE: ± 0.05
 (10³ VIEW)

SCHEMATIC	SYMBOL
	1
	2
	3
CENTER PIN	$\phi 0.650\text{mm}$



RECOMMENDED
 DC MATING PLUG

广东科斯达开关厂

PART NAME	SMD DC POWER SOCKET	TOLERANCE UNLESS OTHERWISE SPECIFIED:	0.0 \pm 0.2 0.00 \pm 0.1 0.000 \pm 0.05	UNIT:	
PART NO.				mm	

DESIGN	T.Y.LI	DATE	22-9-2005	SCALE	5:1
DRAWING	H.Q.ZHOU	DATE	8-10-2019	MATERIAL	*
CHECK	H.L.TAN	DATE	8-10-2019	DWG. NO.	17\DC064D-A/1.1
APPROVAL		DATE		SHEET	