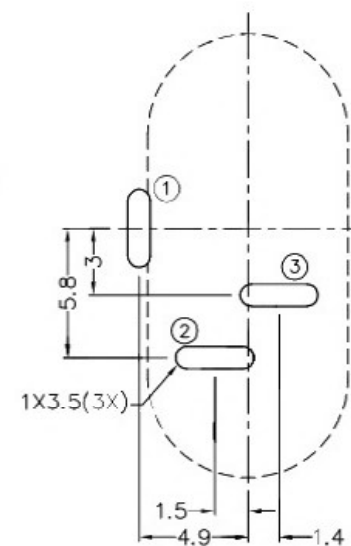
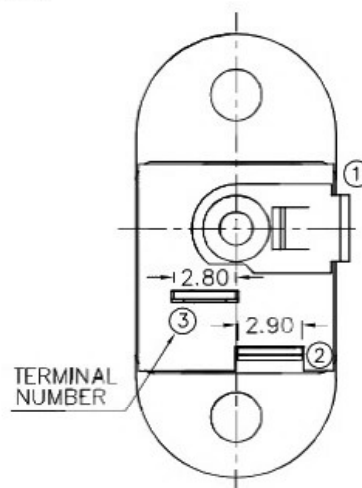
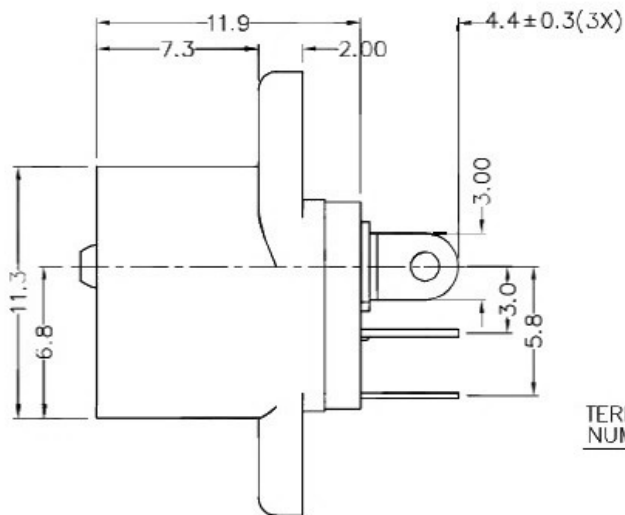
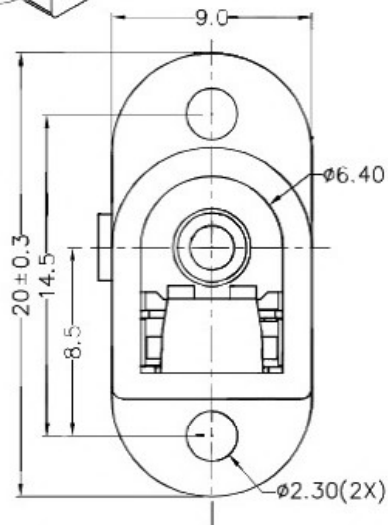
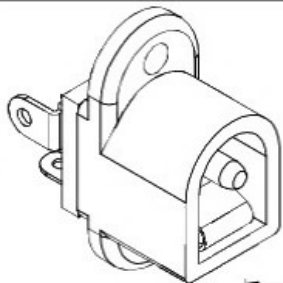
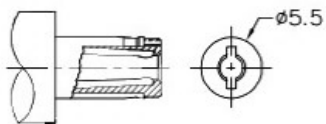


ZONE	SYMBOL	REVISION	APPROVAL	DATE

RoHS
Compliant



RECOMMENDED PCB LAYOUT
TOLERANCE: ±0.05
(TOP VIEW)



DC MATE PLUG

* MATERIAL

CENTRE PIN : COPPER
 TERMINAL 1 : BRASS
 TERMINAL 2 : COPPER ALLOY
 TERMINAL 3 : BRASS
 HOUSING : THERMOPLASTIC
 COVER : THERMOPLASTIC

MODEL NO.	
SCHEMATIC	
CENTER PIN	φ2mm
	φ2.5mm

广东科斯达开关厂

DESIGN	L.L.ZHANG	DATE	7-10-2003	SCALE	3:1
DRAWING	T.Y.LI	DATE	6-9-2016	MATERIAL	*
CHECK	H.L.TAN	DATE	6-9-2016	DWG. NO.	TZ\DC001-B/1.0
APPROVAL		DATE	6-9-2016	SHEET	

PART NAME		TOLERANCE UNLESS	0.0±0.2	UNIT:	mm
PART NO.	TDC-001	OTHERWISE SPECIFIED:	0.00±0.1 0.000±0.05		