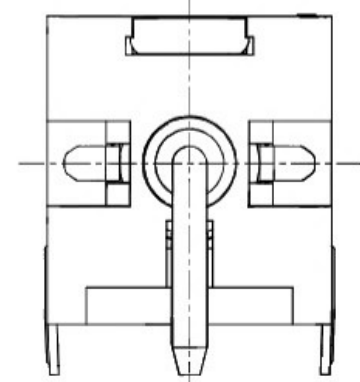
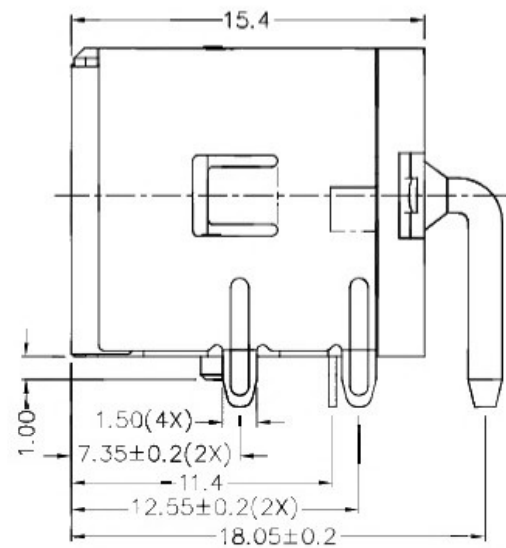
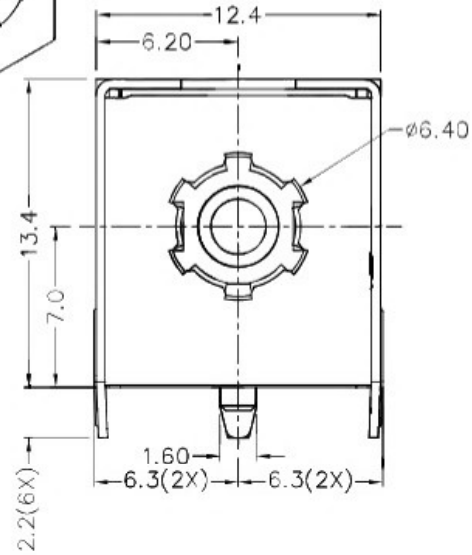
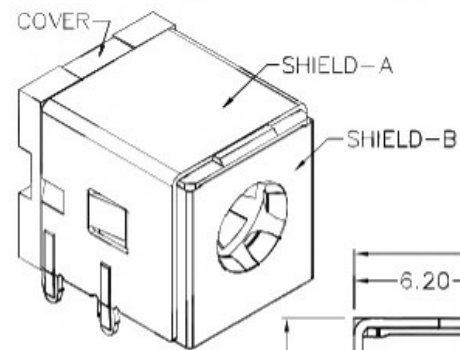


F E D C B A

ZONE	SYMBOL	REVISION	APPROVAL	DATE

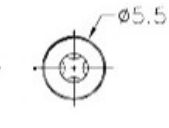
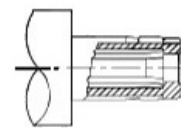
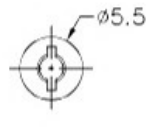
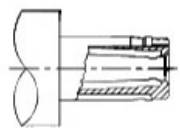
RoHS
Compliant



* MATERIAL

- TERMINAL 1 : BRASS
- TERMINAL 2 : COPPER ALLOY
- STOPPER : C.R.STEEL
- SHIELD-A : C.R.STEEL
- SHIELD-B : STAINLESS STEEL
- HOUSING : HIGH TEMP. PLASTIC
- COVER : HIGH TEMP. PLASTIC

MODEL NO.	
SCHMATIC	
CENTER PIN	ø2.5mm

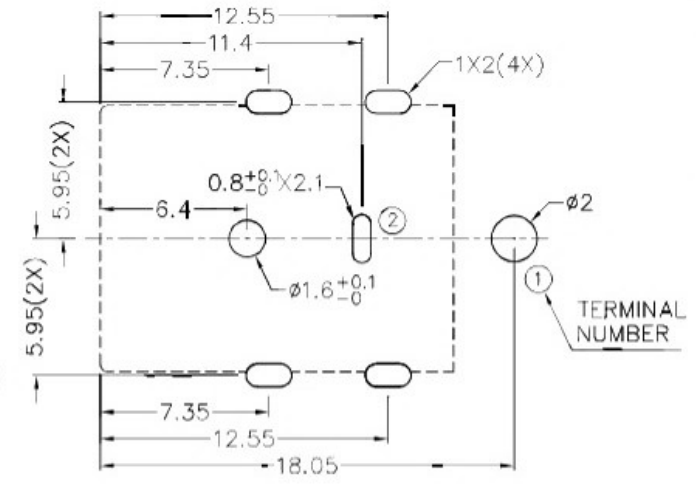
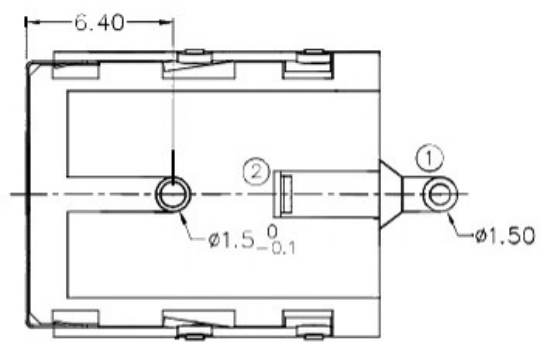


DC MATE PLUG

RATING: DC 20V 7A

DC MATE PLUG

RATING: DC 20V 10A



RECOMMENDED PCB LAYOUT
TOLERANCE: ±0.05
(TOP VIEW)

广东科斯达开关厂

DESIGN	T.Y.LI	DATE	15-5-2009	SCALE	3:1
DRAWING	J.CH.OU	DATE	27-10-2016	MATERIAL	*
CHECK	H.L.TAN	DATE	27-10-2016	DWG. NO.	TZ\DC079HS-A/1.0
APPROVAL		DATE		SHEET	

PART NAME	HIGH CURRENT DC POWER SOCKET	TOLERANCE UNLESS	0.0±0.2	UNIT:
PART NO.		OTHERWISE SPECIFIED:	0.00±0.1 0.000±0.05	

F E D C B A