

F

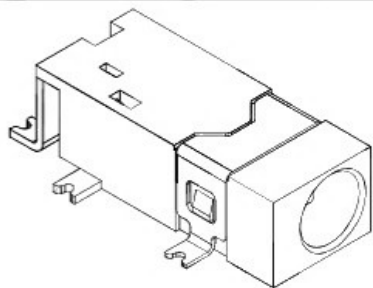
E

D

C

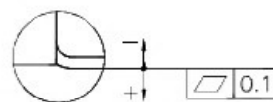
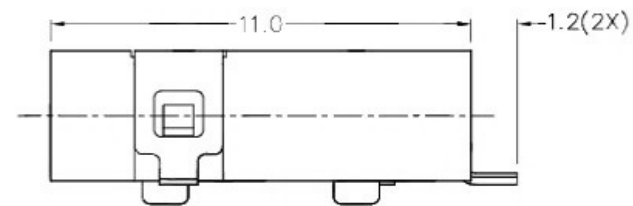
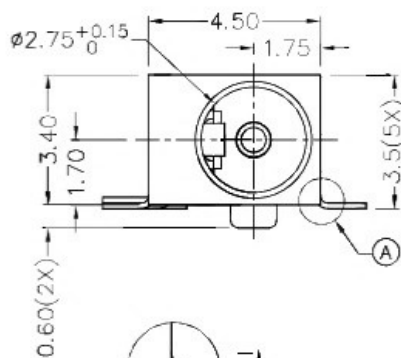
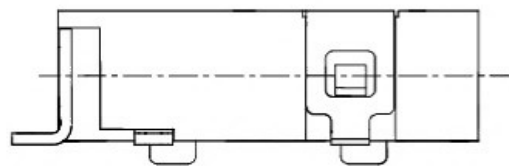
B

A

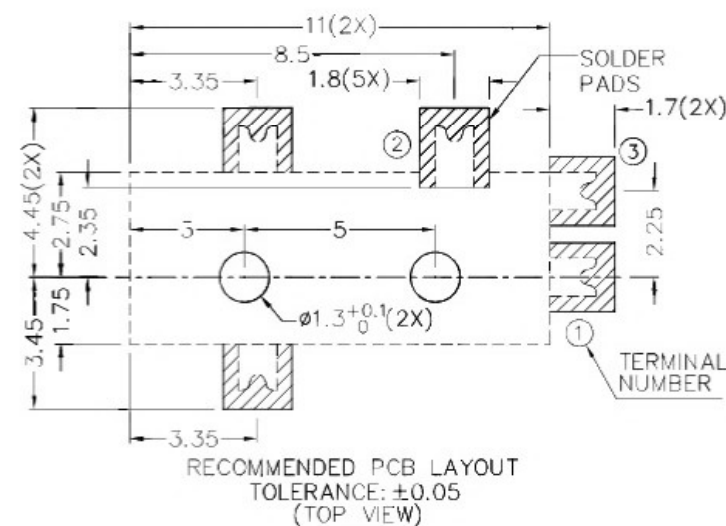


ZONE	SYMBOL	REVISION	APPROVAL	DATE
		ADJUST THE RECOMMENDED DC	J.X.KUANG	8-10-2019
		MATING PLUG		

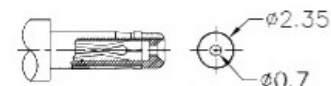
RoHS
Compliant



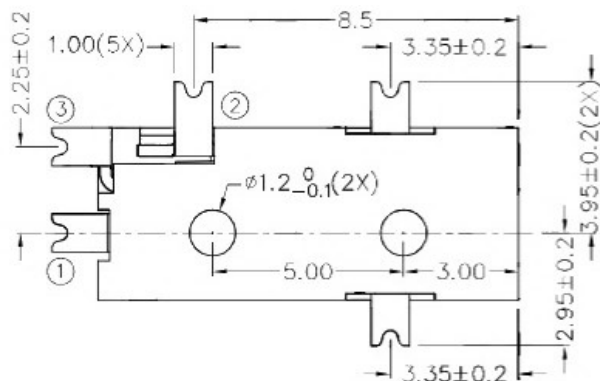
A DETAIL COPLANARITY



RECOMMENDED PCB LAYOUT
TOLERANCE: ± 0.05
(TOP VIEW)



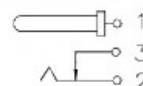
RECOMMENDED
DC MATING PLUG



* MATERIAL

TERMINAL 1 : BRASS
TERMINAL 2 : COPPER ALLOY
TERMINAL 3 : BRASS
SHIELD : COPPER ALLOY
HOUSING : HIGH TEMP. PLASTIC

SCHEMATIC



CENTER PIN

$\phi 0.650\text{mm}$

广东科斯达开关厂

PART NAME	HIGH CURRENT SMD DC POWER SOCKET	TOLFRANCE UNLESS	0.0 ± 0.2	UNIT:		DESIGN	J.X.KUANG	DATE	2-1-2013	SCALE	5:1
PART NO.		OTHERWISE SPECIFIED:	0.00 ± 0.1			DRAWING	H.Q.ZHOU	DATE	8-10-2019	MATERIAL	*
			0.000 ± 0.05			CHFC	T.Y.LI	DATE	8-10-2019	DWG. NO.	TZ\DC109DHS-A/1.1
						APPROVAL		DATE		SHEET	A

F

E

D

C

B

A