

F

E

D

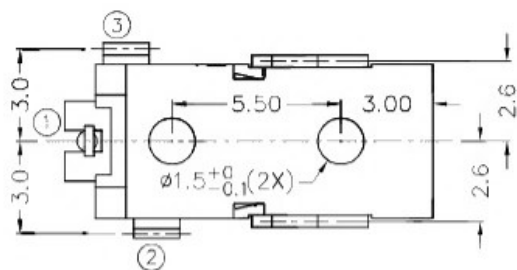
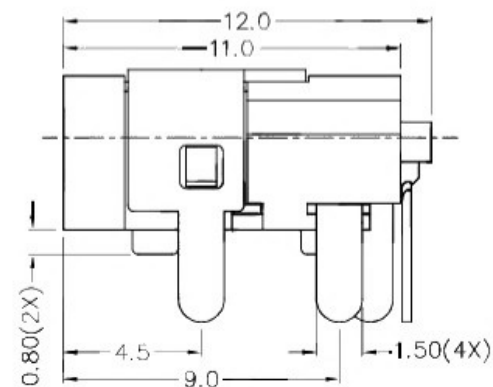
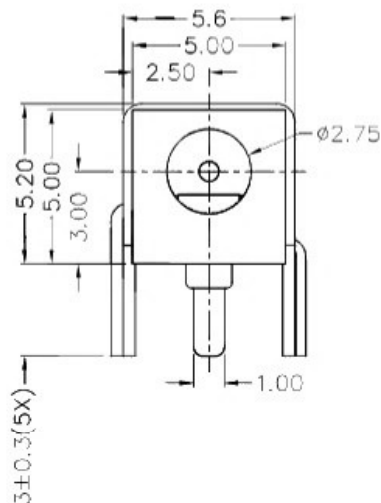
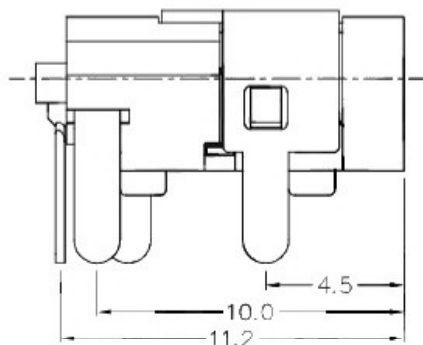
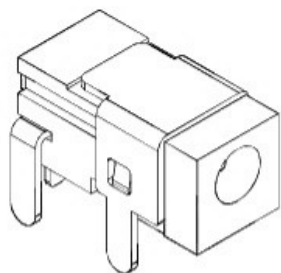
C

B

A

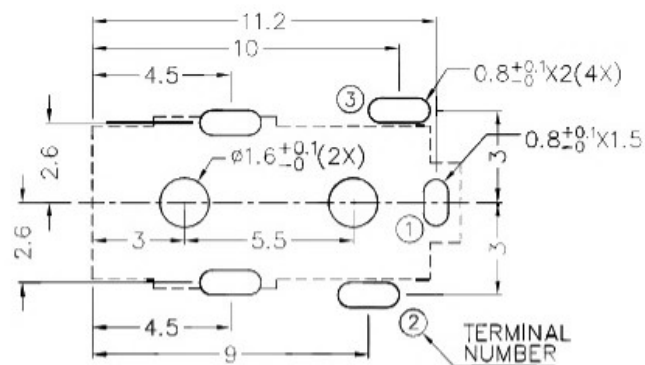
ZONE	SYMBOL	REVISION	APPROVAL	DATE
		ADJUST THE RECOMMENDED DC	J.X.KUANG	8-10-2019
		MATING PLUG		

RoHS
Compliant



* MATERIAL

TERMINAL 1 : COPPER
 TERMINAL 2 : COPPER ALLOY
 TERMINAL 3 : BRASS
 SHIELD : COLD ROLLED STEEL
 HOUSING : THERMOPLASTIC



RECOMMENDED PCB LAYOUT
 TOLERANCE: ±0.05
 (TOP VIEW)



RECOMMENDED
 DC MATING PLUG

SCHEMATIC	
CENTER PIN	φ0.650mm

广东科斯达开关厂

DESIGN	T.Y.LI	DATE	10-10-2003	SCALE	4:1
DRAWING	H.Q.ZHOU	DATE	8-10-2019	MATERIAL	*
CHECK	H.L.TAN	DATE	8-10-2019	DWG. NO.	TZ\DC028-B/1.1
APPROVAL		DATE		SHEET	

PART NAME	DC POWER SOCKET	TOLERANCE UNLESS	0.0±0.2	UNIT:	
PART NO.		OTHERWISE SPECIFIED:	0.00±0.1 0.000±0.05	mm	

F

E

D

C

B

A