

F

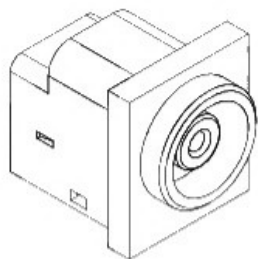
E

D

C

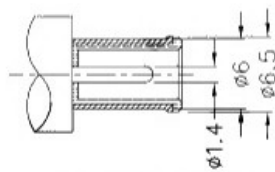
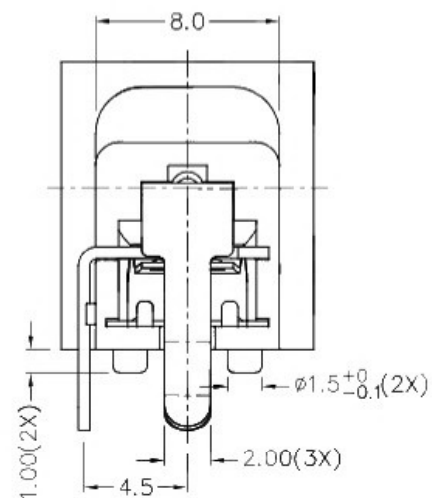
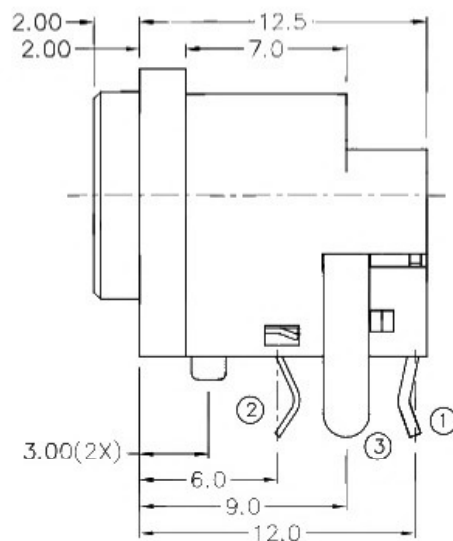
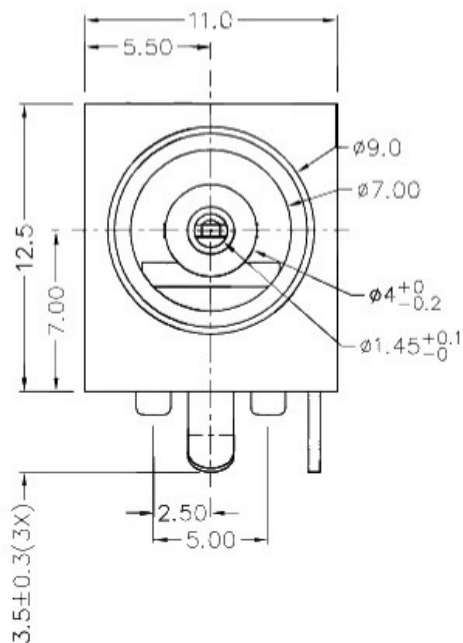
B

A



RoHS
Compliant

ZONE	SYMBOL	REVISION	APPROVAL	DATE

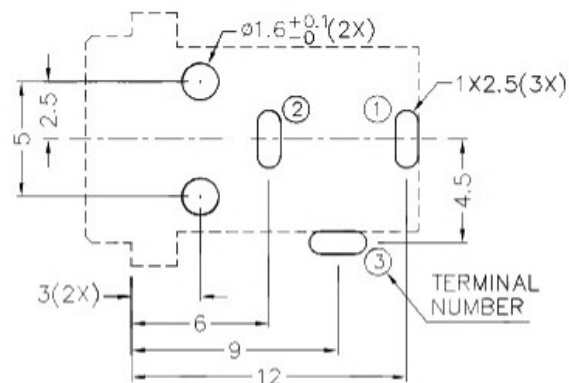
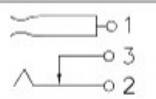


DC MATE PLUG


* MATERIAL


TERMINAL 1 : BRASS
 TERMINAL 2 : COPPER ALLOY
 TERMINAL 3 : BRASS
 HOUSING : THERMOPLASTIC

SCHEMATIC



RECOMMENDED PCB LAYOUT
 TOLERANCE: ±0.05
 (TOP VIEW)

 广东科斯达开关厂

PART NAME	DC POWER SOCKET	TOLERANCE UNLESS	0.0±0.2	UNIT: 
PART NO.		OTHERWISE SPECIFIED:	0.00±0.1 0.000±0.05	

DESIGN	J.JIANG	DATE	6-10-2004	SCALE	3:1
DRAWING	T.Y.LI	DATE	7-11-2016	MATERIAL	*
CHECK	H.L.TAN	DATE	7-11-2016	DWG. NO.	TZ\DC049-2-B/1.0
APPROVAL		DATE		SHEET	

F

E

D

C

B

A