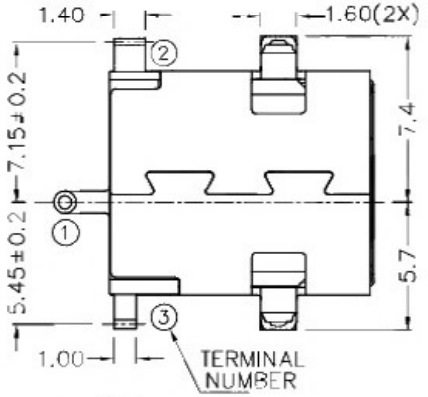
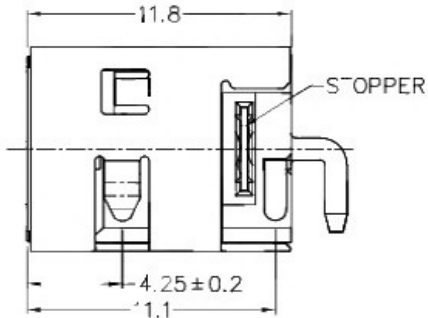
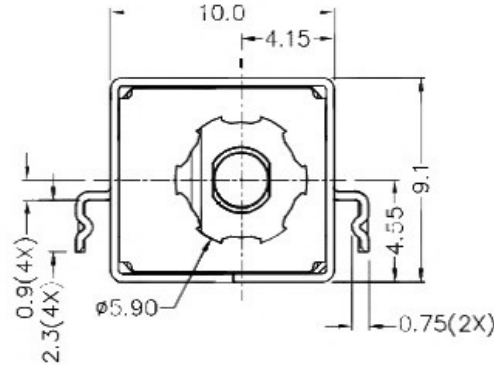
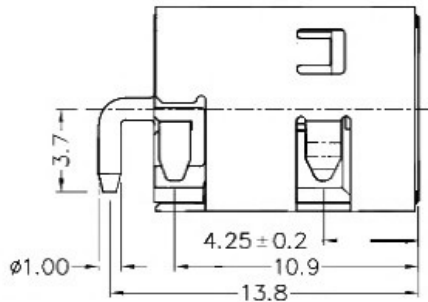
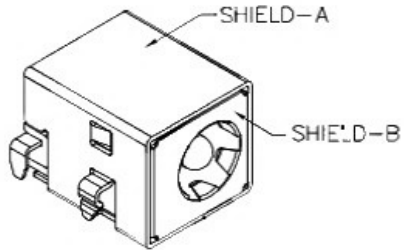


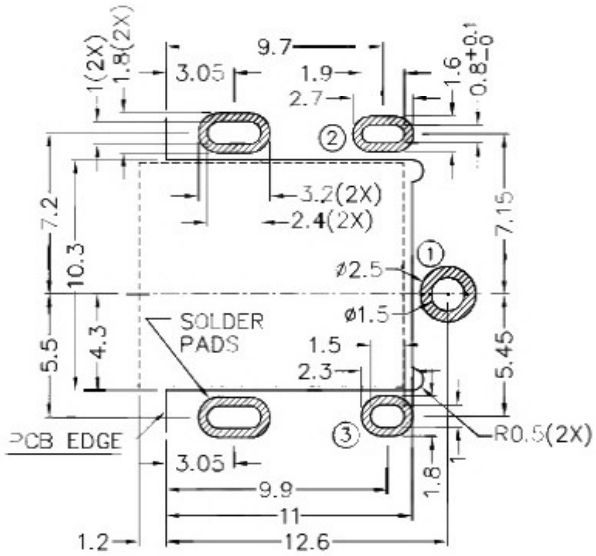
ZONE	SYMBOL	REVISION	APPROVAL	DATE

RoHS
Compliant

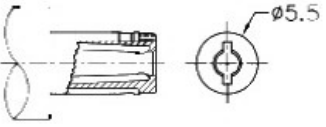


- * MATERIAL
- TERMINAL 1 : BRASS
 - TERMINAL 2 : COPPER ALLOY
 - TERMINAL 3 : BRASS
 - SHIELD-A : BRASS
 - SHIELD-B : STAINLESS STEEL
 - STOPPER : C.R.STEEL
 - HOUSING : HIGH TEMP. PLASTIC

SCHEMATIC		1
		3
CENTER PIN		2
		2mm
		2.5mm



RECOMMENDED PCB LAYOUT
TOLERANCE: ±0.05
(TOP VIEW)



DC MATE PLUG

广东科斯达开关厂

DESIGN	X.N.ZHENG	DATE	14-9-2009	SCALE	3:1
DRAWING	CH.XIONG	DATE	7-9-2016	MATERIAL	*
CHECK	T.Y.LI	DATE	7-9-2016	DWG. NO.	TZ\DC084DHS-A/1.0
APPROVAL		DATE	7-9-2016	SHEET	

PART NAME	HIGH CURRENT SMD DC POWER SOCKET	TOLERANCE UNLESS	0.0±0.2	UNIT:	
PART NO.		OTHERWISE SPECIFIED:	0.00±0.1 0.000±0.05	mm	