

F

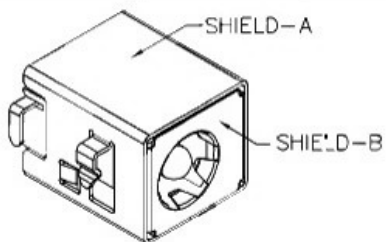
E

D

C

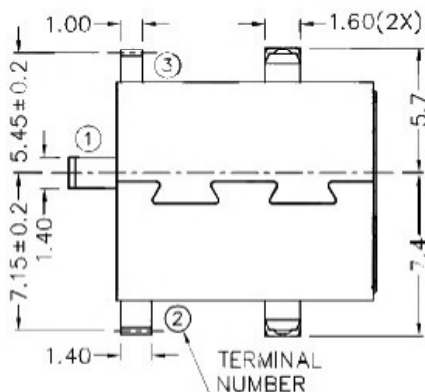
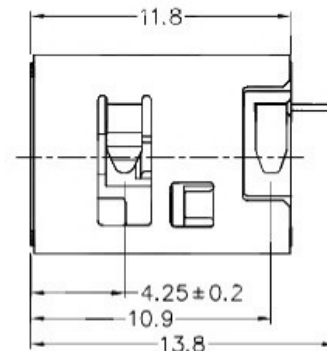
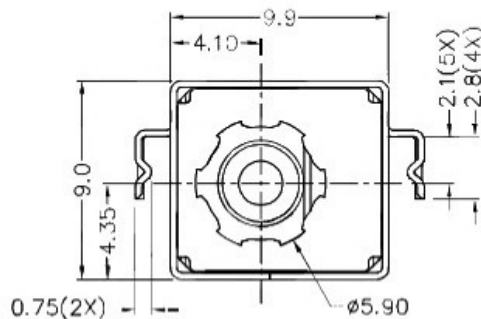
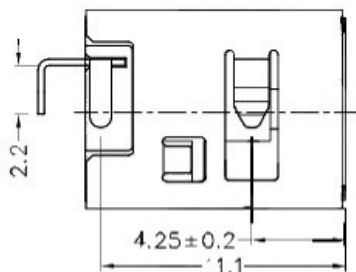
B

A



RoHS
Compliant

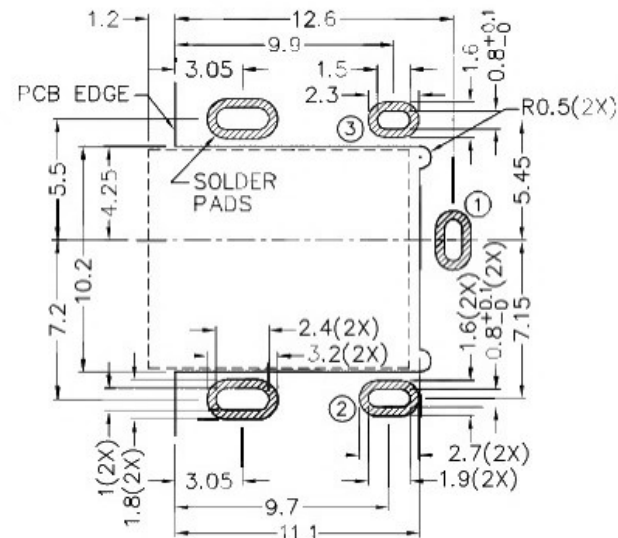
ZONE	SYMBOL	REVISION	APPROVAL	DATE



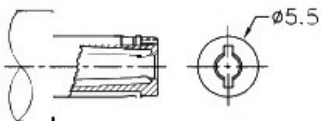
* MATERIAL

CENTRE PIN : BRASS
 TERMINAL 1 : BRASS
 TERMINAL 2 : COPPER ALLOY
 TERMINAL 3 : BRASS
 SHIELD-A : BRASS
 SHIELD-B : STAINLESS STEEL
 HOUSING : HIGH TEMP. PLASTIC

MODEL NO.	
SCHEMATIC	
CENTER PIN	ø2mm
	ø2.5mm



RECOMMENDED PCB LAYOUT
 TOLERANCE: ±0.05
 (TOP VIEW)



DC MATE PLUG

广东科斯达开关厂

DESIGN	X.N.ZHENG	DATE	14-9-2009	SCALE	3:1
DRAWING	CH.XIONG	DATE	7-9-2016	MATERIAL	*
CHECK	T.Y.LI	DATE	7-9-2016	DWG. NO.	TZ\DC085DHS-A/1.0
APPROVAL		DATE	7-9-2016	SHEET	

PART NAME	HIGH CURRENT SMD DC POWER SOCKET	TOLERANCE UNLESS	0.0±0.2	UNIT:	
PART NO.		OTHERWISE SPECIFIED:	0.00±0.1 0.000±0.05	mm	

F

E

D

C

B

A