

F

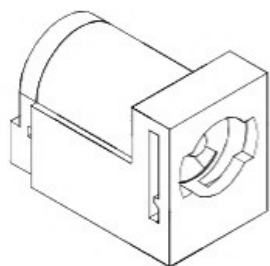
E

D

C

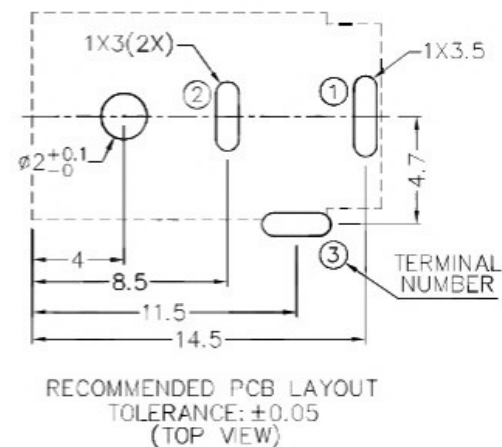
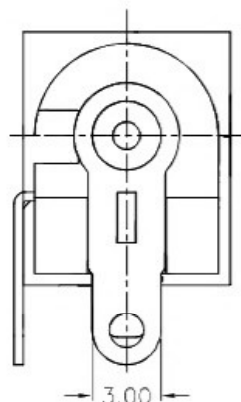
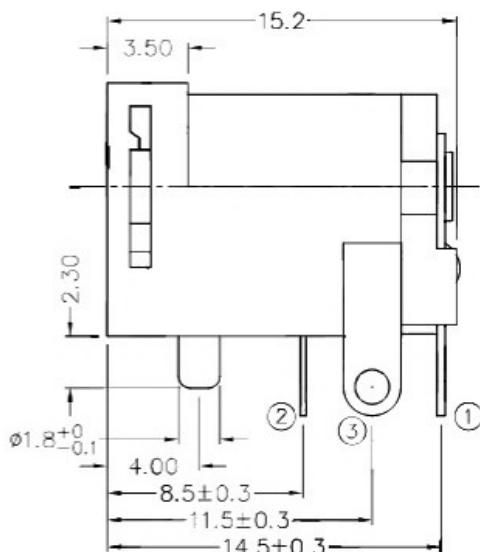
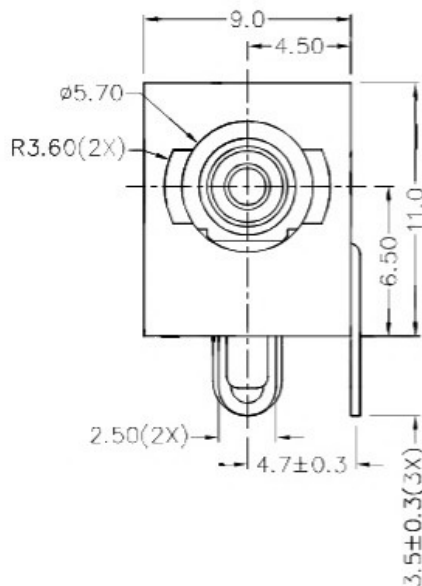
B

A



RoHS
Compliant

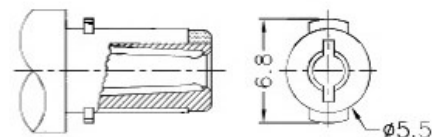
ZONE	SYMBOL	REVISION	APPROVAL	DATE
		ADJUST THE RECOMMENDED DC	J.X.KUANG	8-10-2019
		MATING PLUG		



SCHEMATIC	
CENTER PIN	∅2.000mm
	∅2.350mm
	∅2.5 ⁺⁰ _{-0.1} mm

* MATERIAL

CENTRE PIN : COPPER
 TERMINAL 1 : BRASS
 TERMINAL 2 : COPPER ALLOY
 TERMINAL 3 : BRASS
 HOUSING : THERMOPLASTIC
 COVER : THERMOPLASTIC



RECOMMENDED
DC SPECIAL MATING PLUG

广东科斯达开关厂

PART NAME	DC POWER SOCKET	TOLFRANCE UNLESS	0.0±0.2	UNIT:		DESIGN	L.L.ZHANG	DATE	1-11-2005	SCALE	3:1
PART NO.		OTHERWISE SPECIFIED:	0.00±0.1	mm		DRAWING	H.Q.ZHOU	DATE	8-10-2019	MATERIAL	*
			0.000±0.05			CHFC	T.Y.LI	DATE	8-10-2019	DWG. NO.	TZ\DC062-B/1.2
						APPROVAL		DATE		SHEET	

F

E

D

C

B

A