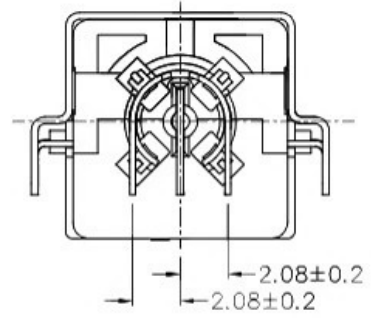
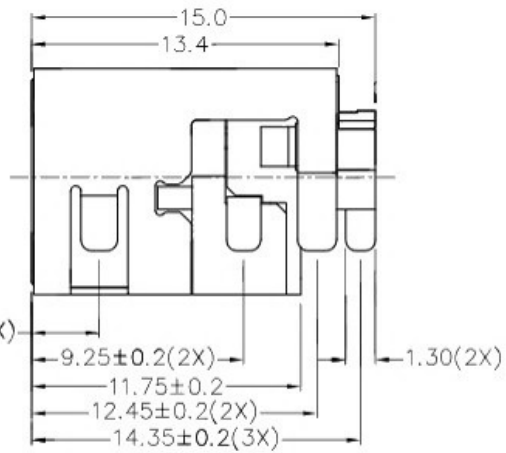
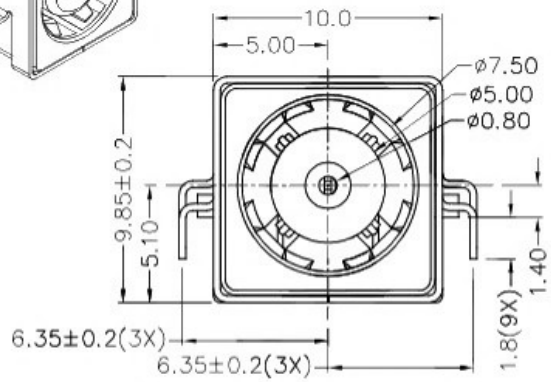
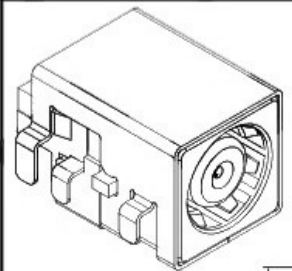


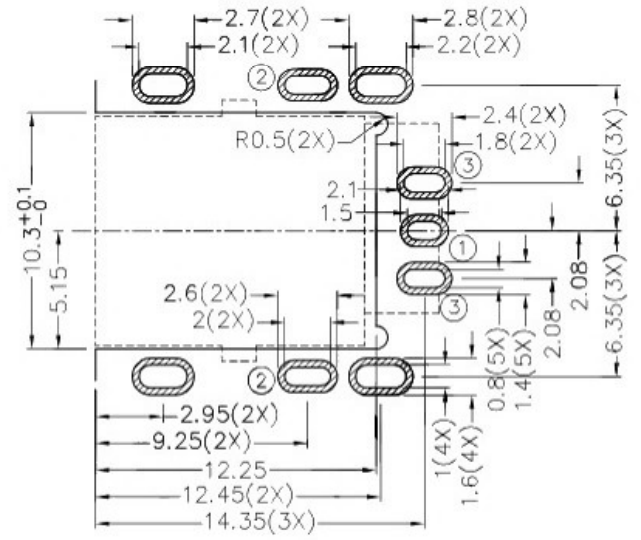
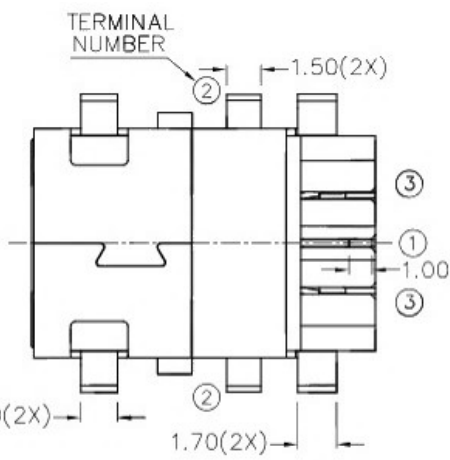
F E D C B A

ZONE	SYMBOL	REVISION	APPROVAL	DATE

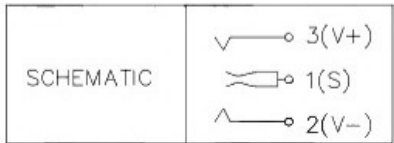
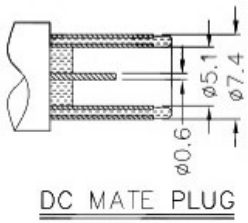
RoHS
Compliant



*** MATERIAL**
 TERMINAL 1 : COPPER ALLOY
 TERMINAL 2 : COPPER ALLOY
 TERMINAL 3 : COPPER ALLOY
 SHIELD : BRASS
 HOUSING : HIGH TEMP. PLASTIC
 COVER : HIGH TEMP. PLASTIC



RECOMMENDED PCB LAYOUT
 TOLERANCE: ±0.05
 (TOP VIEW)



广东科斯达开关厂

PART NAME	HIGH CURRENT SMD DC POWER SOCKET	TOLERANCE UNLESS 0.0±0.2 0.00±0.1 OTHERWISE SPECIFIED: 0.000±0.05	UNIT: mm	DESIGN	G.P.YI	DATE	5-10-2012	SCALE	3:1
				DRAWING	J.H.ZHOU	DATE	14-11-2016	MATERIAL	*
PART NO.				CHECK	T.Y.LI	DATE	14-11-2016	DWG. NO.	TZ\DC106DHS-A/1.0
				APPROVAL		DATE		SHEET	

F E D C B A