

F

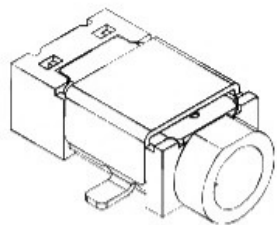
E

D

C

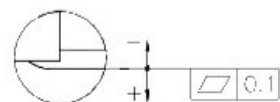
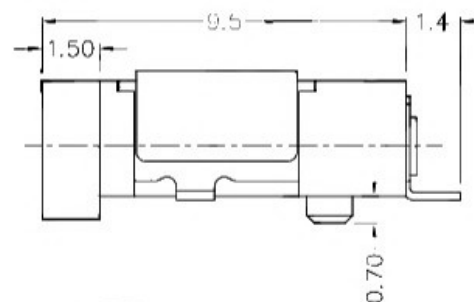
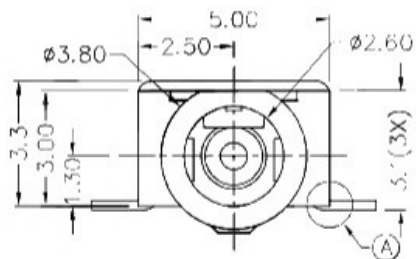
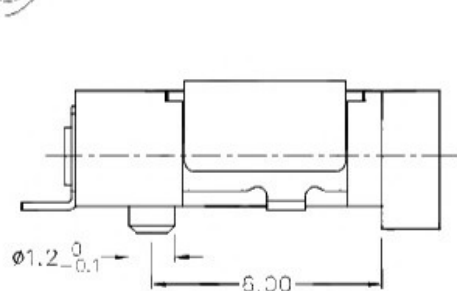
B

A

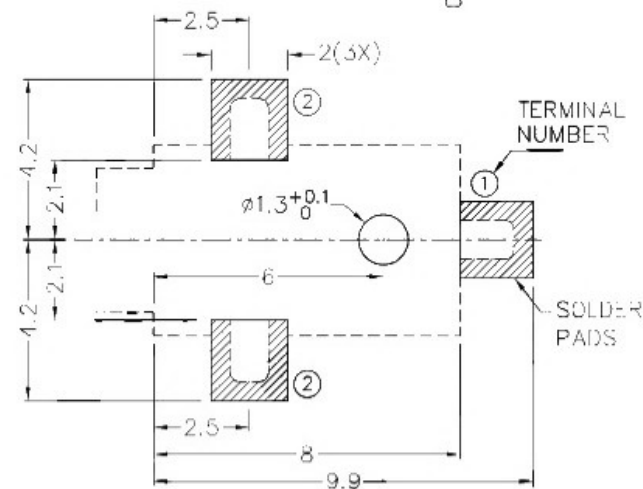
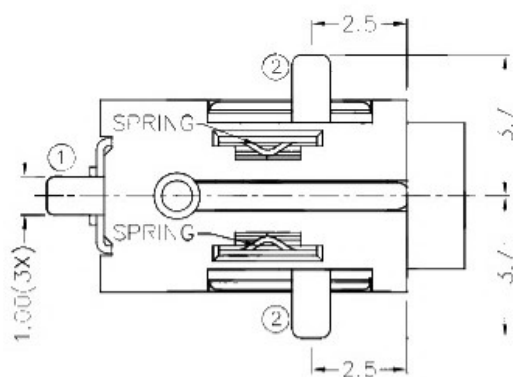


RoHS
Compliant

ZONE	SYMBOL	REVISION	APPROVAL	DATE
		ADJUST THE RECOMMENDED DC	J.X.KUANG	8 10 2019
		MATING PLUG		



A DETAIL COPLANARITY

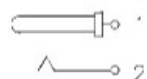


RECOMMENDED PCB LAYOUT
TOLERANCE: ± 0.05
(TOP VIEW)

* MATERIAL

CENTRE PIN : COPPER
TERMINAL 1 : BRASS
TERMINAL 2 : COPPER ALLOY
SPRING : STAINLESS STEEL
SHIELD : BRASS
HOUSING : HIGH TEMP. PLASTIC

SCHEMATIC




CENTER PIN

$\phi 0.650\text{mm}$



RECOMMENDED
DC MATING PLUG

 广东科斯达开关厂

DESIGN	T.Y.LI	DATE	12-9-2005	SCALE	5:1
DRAWING	H.Q.ZHOU	DATE	8-10-2019	MATERIAL	*
CHK	H.L.TAN	DATE	8-10-2019	DWG. NO.	TZ\DC063DS-A/2.1
APPROVAL		DATE		SHEET	

PART NAME	SMD DC POWER SOCKET	TOLERANCE UNLESS OTHERWISE SPECIFIED:	0.0 \pm 0.2 0.00 \pm 0.1 0.000 \pm 0.05	UNIT:	
PART NO.					

F

E

D

C

B

A