

F

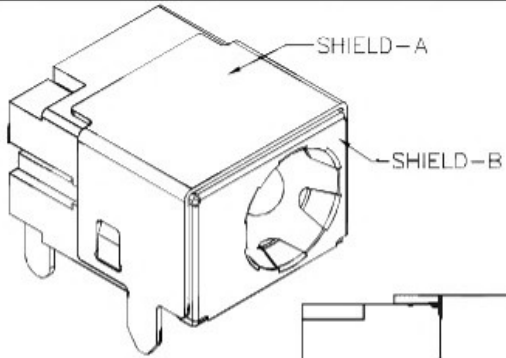
E

D

C

B

A



RoHS
Compliant

ZONE	SYMBOL	REVISION	APPROVAL	DATE
D2	△	UPDATE UNIT DECIMAL	J.X.KUANG	18-5-2018

1

1

2

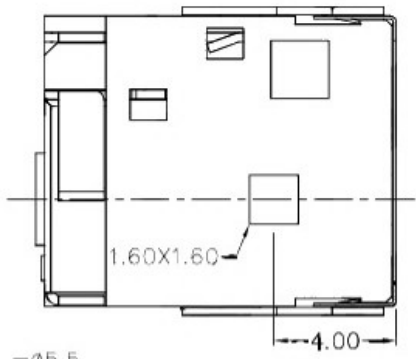
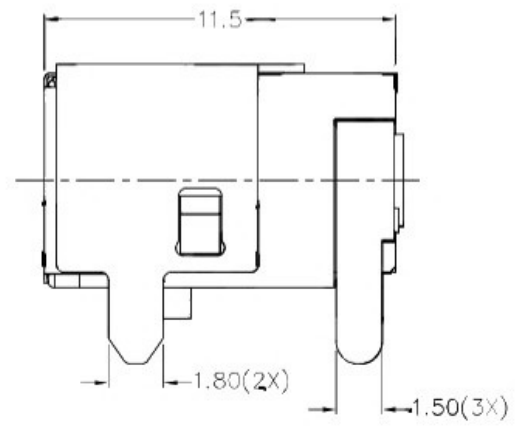
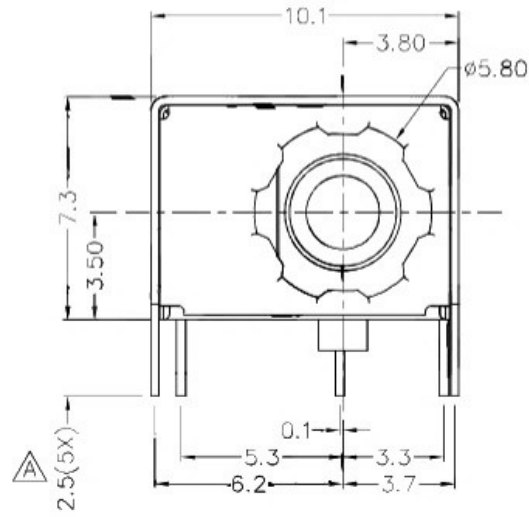
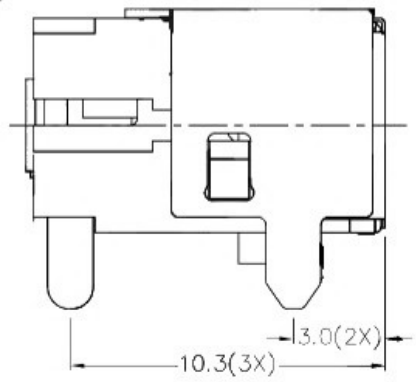
2

3

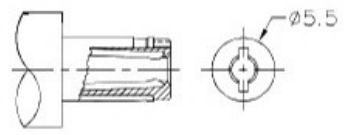
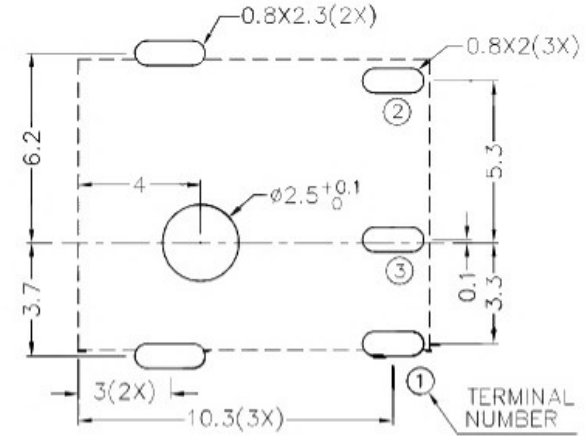
3

4

4



* MATERIAL
 CENTRE PIN : COPPER
 TERMINAL 1 : BRASS
 TERMINAL 2 : COPPER ALLOY
 TERMINAL 3 : BRASS
 SHIELD-A : BRASS
 SHIELD-B : STAINLESS STEEL
 HOUSING : THERMOPLASTIC



SCHEMATIC	
CENTER PIN	ø2mm
	ø2.5mm

RECOMMENDED PCB LAYOUT
 TOLERANCE: ±0.05
 (TOP VIEW)

广东科斯达开关厂

DESIGN	G.P.YI	DATE	1-3-2007	SCALE	4:1
DRAWING	T.Y.LI	DATE	18-5-2018	MATERIAL	*
CHECK	H.L.TAN	DATE	18-5-2018	DWG. NO.	TZ\DC069HS-B/1.1
APPROVAL		DATE		SHEET	

PART NAME	HIGH CURRENT DC POWER SOCKET	TOLERANCE UNLESS	0.0±0.2
		OTHERWISE SPECIFIED:	0.00±0.1
PART NO.		UNIT:	mm

TOLERANCE UNLESS	0.0±0.2
OTHERWISE SPECIFIED:	0.00±0.1
UNIT:	mm

F

E

D

C

B

A