

F

E

D

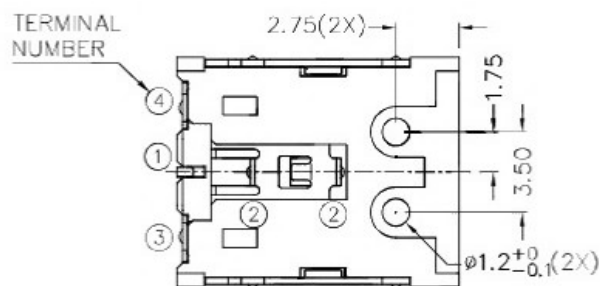
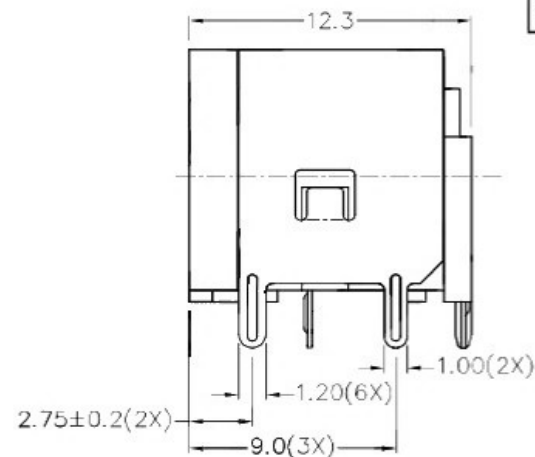
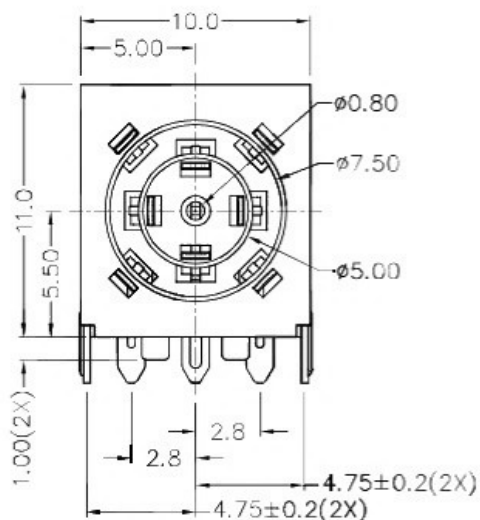
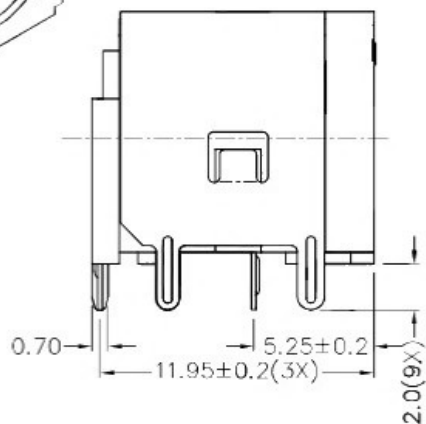
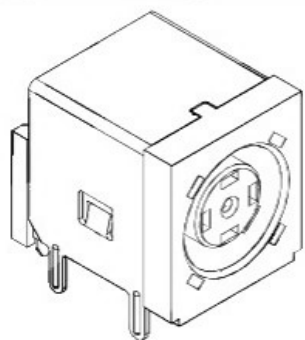
C

B

A

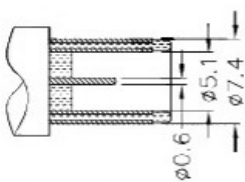
ZONE	SYMBOL	REVISION	APPROVAL	DATE

RoHS
Compliant



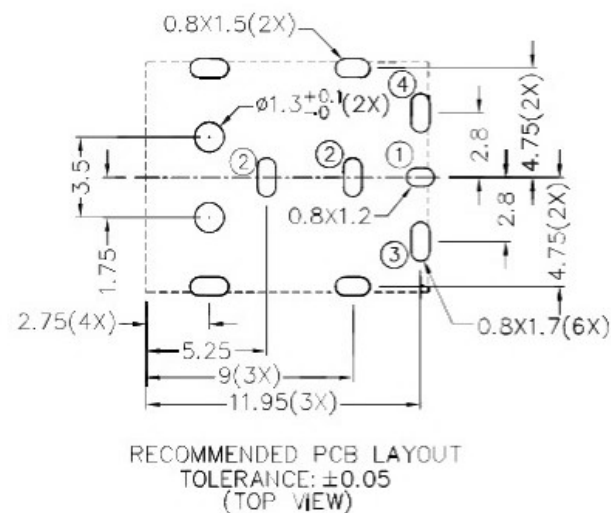
* MATERIAL

TERMINAL 1 : COPPER ALLOY
 TERMINAL 2 : COPPER ALLOY
 TERMINAL 3 : COPPER ALLOY
 TERMINAL 4 : COPPER ALLOY
 SPRING : STAINLESS STEEL
 SHIELD : BRASS
 HOUSING : HIGH TEMP. PLASTIC



DC MATE PLUG

MODEL NO.	SCHEMATIC
	4 (V+)
	3
	1(S)
	2(V-)



广东科斯达开关厂

PART NAME		HIGH CURRENT DC POWER SOCKET		TOLERANCE UNLESS		0.0±0.2		UNIT:		DESIGN	JX.KUANG	DATE	7-1-2011	SCALE	3:1
PART NO.				OTHERWISE SPECIFIED:		0.00±0.1		mm		DRAWING	J.CH.OU	DATE	4-11-2016	MATERIAL	*
						0.000±0.05				CHECK	T.Y.LI	DATE	4-11-2016	DWG. NO.	TZ\DC093HS-A/1.0
										APPROVAL		DATE		SHEET	

F

E

D

C

B

A