

F

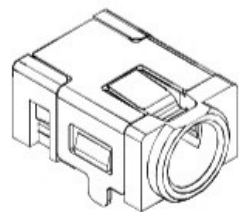
E

D

C

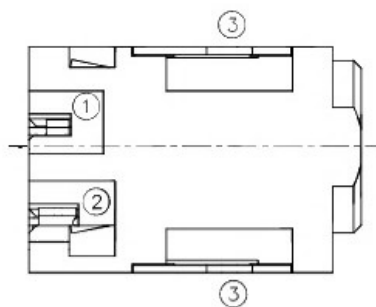
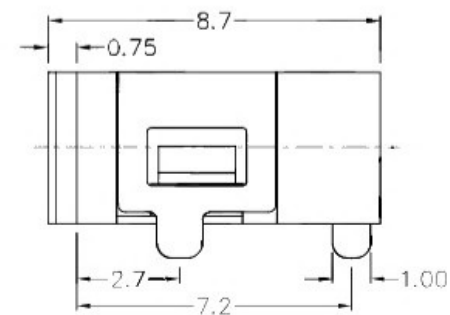
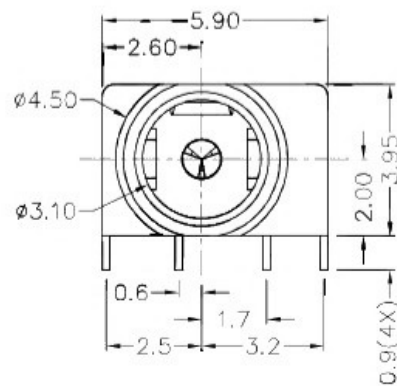
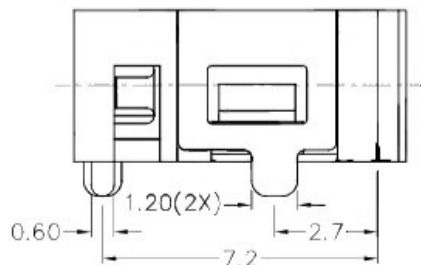
B

A





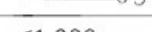
RoHS  
Compliant

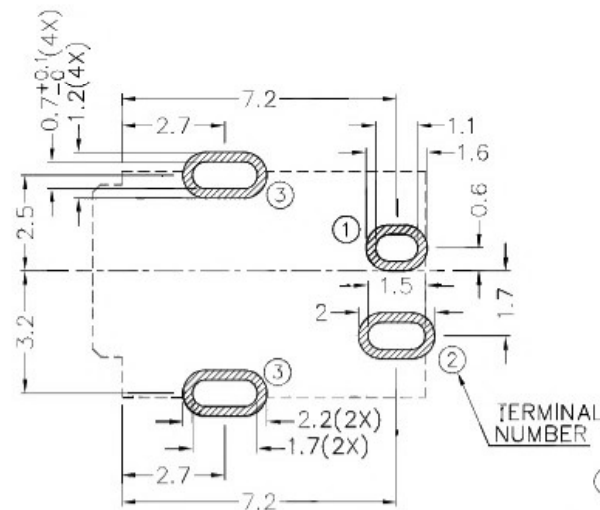
| ZONE | SYMBOL | REVISION                  | APPROVAL  | DATE      |
|------|--------|---------------------------|-----------|-----------|
|      |        | ADJUST THE RECOMMENDED DC | J.X.KUANG | 8-10-2019 |
|      |        | MATING PLUG               |           |           |
|      |        |                           |           |           |



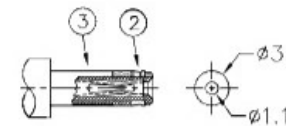
\* MATERIAL

TERMINAL 1 : BRASS  
TERMINAL 2 : COPPER ALLOY  
TERMINAL 3 : COPPER ALLOY  
HOUSING : HIGH TEMP. PLASTIC


|            |   |
|------------|---|
| SCHEMATIC  |  1 |
|            |  2 |
|            |  3 |
| CENTER PIN | $\phi 1.000\text{mm}$   |



RECOMMENDED PCB LAYOUT  
TOLERANCE:  $\pm 0.05$   
(TOP VIEW)



RECOMMENDED  
DC MATING PLUG

 广东科斯达开关厂

|          |          |      |            |          |                 |
|----------|----------|------|------------|----------|-----------------|
| DESIGN   | H.L.TAN  | DATE | 13-12-2017 | SCALE    | 5:1             |
| DRAWING  | H.Q.ZHOU | DATE | 8-10-2019  | MATERIAL | *               |
| CHECK    | T.Y.LI   | DATE | 8-10-2019  | DWG. NO. | TZ\DC115H-A/1.2 |
| APPROVAL |          | DATE |            | SHEET    |                 |

|           |                              |                      |                                 |       |   |
|-----------|------------------------------|----------------------|---------------------------------|-------|---|
| PART NAME | HIGH CURRENT DC POWER SOCKET | TOLERANCE UNLESS     | 0.0 $\pm$ 0.2<br>0.00 $\pm$ 0.1 | UNIT: |  |
| PART NO.  |                              | OTHERWISE SPECIFIED: | 0.000 $\pm$ 0.05                |       |   |

F

E

D

C

B

A