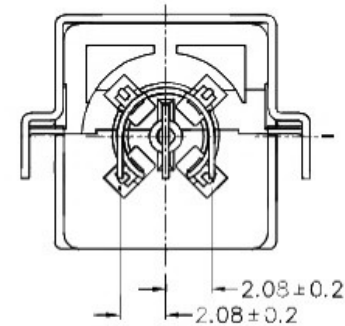
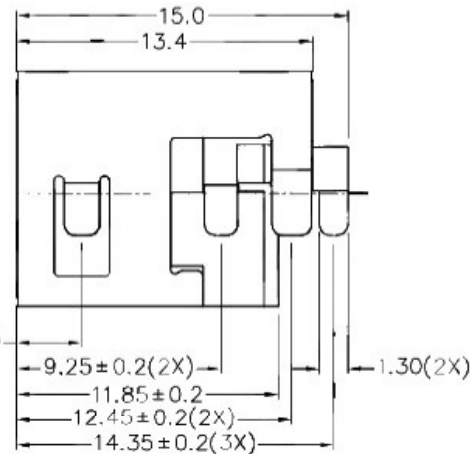
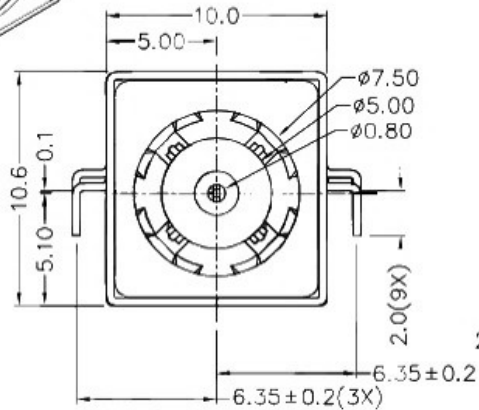
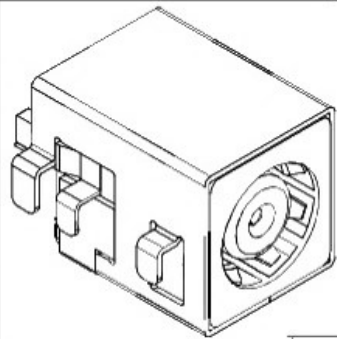


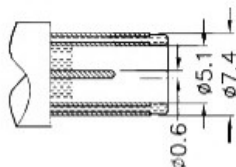
RoHS
Compliant

C		B		A	
ZONE	SYMBOL	REVISION		APPROVAL	DATE

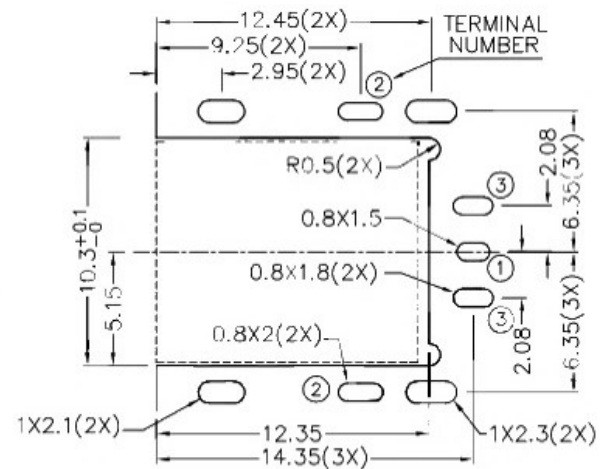
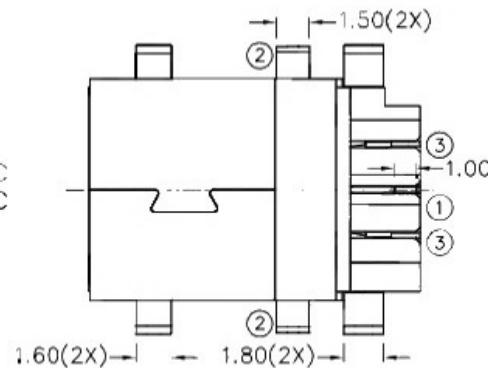
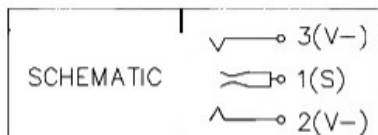


*** MATERIAL**

- TERMINAL 1 : COPPER ALLOY
- TERMINAL 2 : COPPER ALLOY
- TERMINAL 3 : COPPER ALLOY
- SHIELD : BRASS
- HOUSING : HIGH TEMP. PLASTIC
- COVER : HIGH TEMP. PLASTIC



DC MATL PLUG



RECOMMENDED PCB LAYOUT
TOLERANCE: ±0.05
(TOP VIEW)

广东科斯达开关厂

PART NAME		HIGH CURRENT SMD DC POWER SOCKET		TOLERANCE UNLESS 0.0±0.2		UNIT: mm		DESIGN	G.P.YI	DATE	18-11-2010	SCALE	3:1
PART NO.				OTHERWISE SPECIFIED: 0.00±0.1				DRAWING	J.CH.OU	DATE	17-8-2016	MATERIAL	*
				0.000±0.05				CHECK	T.Y.LI	DATE	17-8-2016	DWG. NO.	TZ\DC089DHS-A/1.0
								APPROVAL	<i>[Signature]</i>	DATE	18-8-2016	SHEET	