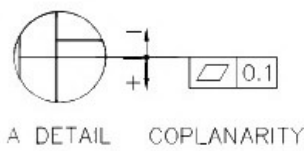
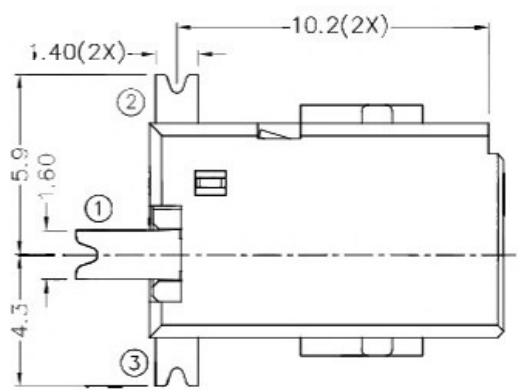
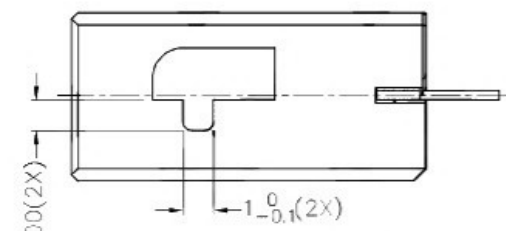
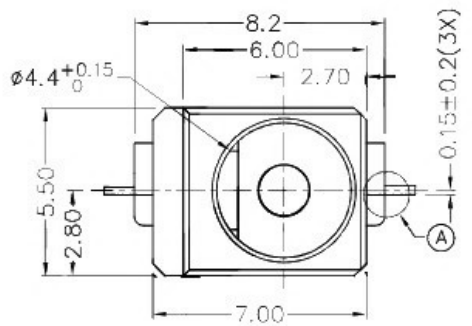
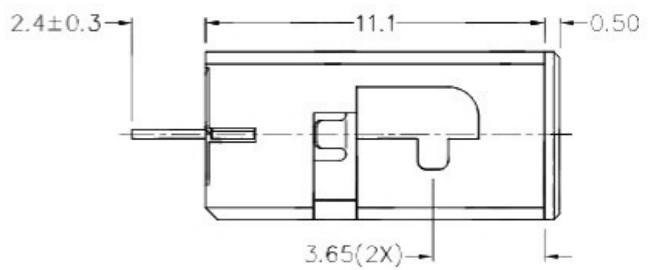
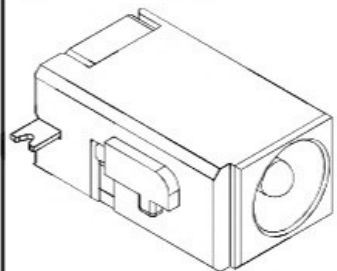


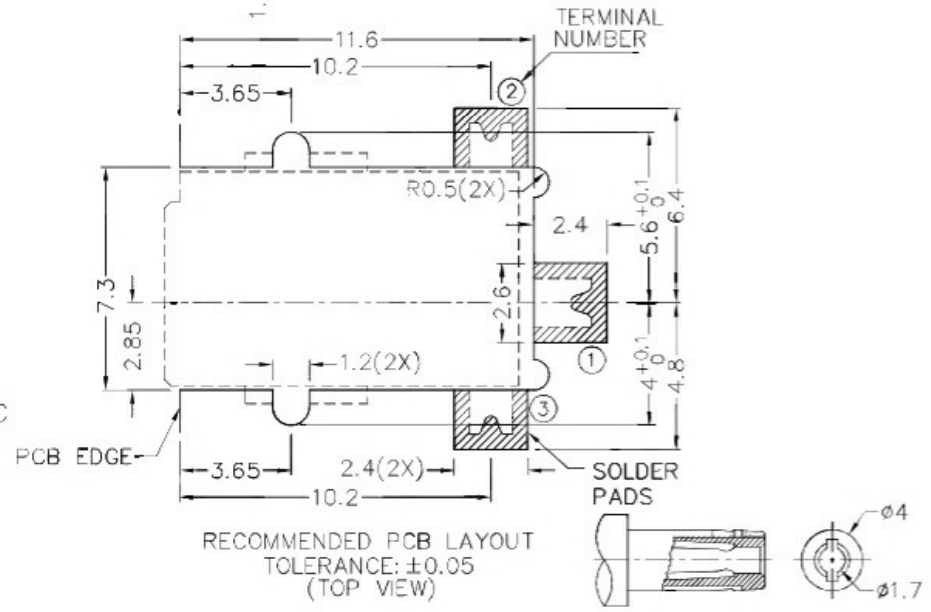
ZONE	SYMBOL	REVISION	APPROVAL	DATE
		ADJUST THE RECOMMENDED DC MATING PLUG	J.X.KUANG	8-10-2019

RoHS
Compliant



*** MATERIAL**
 TERMINAL 1 : BRASS
 TERMINAL 2 : COPPER ALLOY
 TERMINAL 3 : BRASS
 HOUSING : HIGH TEMP. PLASTIC

MODEL NO.	
SCHEMATIC	1, 2, 3
CENTER PIN	$\phi 1.650\text{mm}$



RECOMMENDED
DC MATING PLUG

广东科斯达开关厂

DESIGN	J.CHEN	DATE	23-8-2011	SCALE	4:1
DRAWING	H.Q.ZHOU	DATE	8-10-2019	MATERIAL	*
CHK	T.Y.LI	DATE	8-10-2019	DWG. NO.	TZ\DC095DH-A/1.1
APPROVAL		DATE		SHEET	

PART NAME	HIGH CURRENT SMD DC POWER SOCKET	TOLFRANCE UNLESS	0.0±0.2	UNIT:
PART NO.		OTHERWISE SPECIFIED:	0.00±0.1 0.000±0.05	

F E D C B A