

F

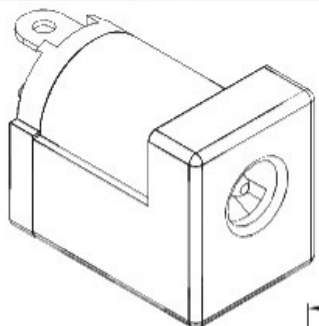
E

D

C

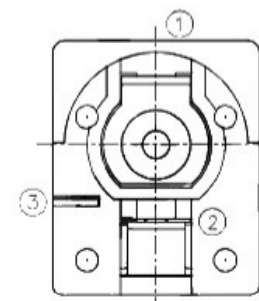
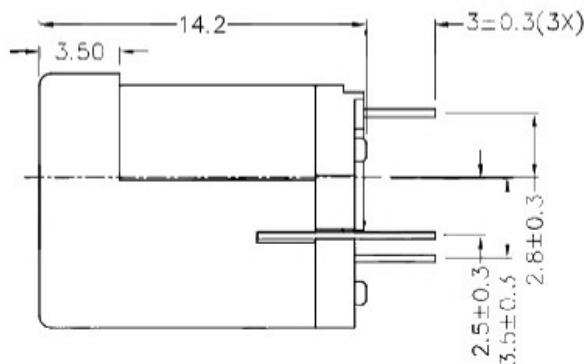
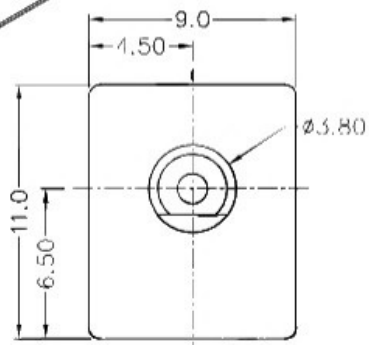
B

A



ZONE	SYMBOL	REVISION	APPROVAL	DATE
		ADJUST THE RECOMMENDED DC MATING PLUG	J.X.KUANG	8-10-2019

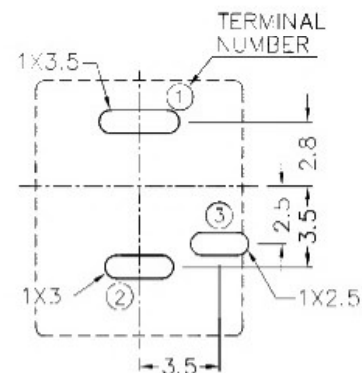
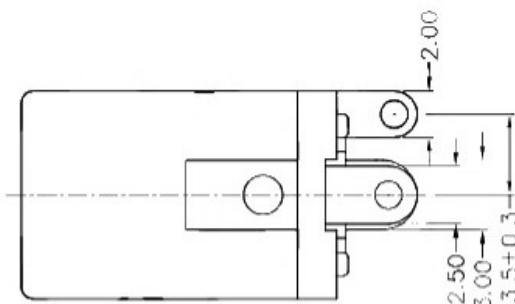
RoHS
Compliant



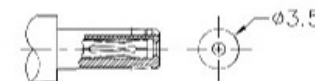
* MATERIAL

CENTRE PIN : COPPER
 TERMINAL 1 : BRASS
 TERMINAL 2 : COPPER ALLOY
 TERMINAL 3 : BRASS
 HOUSING : THERMOPLASTIC
 COVER : THERMOPLASTIC

MODEL NO.	
SCHEMATIC	
CENTER PIN	∅1.000mm
	∅1.300mm



RECOMMENDED PCB LAYOUT
 TOLERANCE: ±0.05
 (TOP VIEW)



RECOMMENDED
 DC MATING PLUG

广东科斯达开关厂

PART NAME	DC POWER SOCKET	TOLERANCE UNLESS OTHERWISE SPECIFIED: 0.0±0.2 0.00±0.1	UNIT: mm	DESIGN	J.X.KUANG	DATE	25-5-2004	SCALE	3:1
PART NO.				DRAWING	F.Q.ZHOU	DATE	8-10-2019	MATERIAL	*
				CHECK	T.Y.LI	DATE	8-10-2019	DWG. NO.	TZ\DC056-B/1.1
				APPROVAL		DATE		SHEET	

F

E

D

C

B

A