

F

E

D

C

B

A

ZONE	SYMBOL	REVISION	APPROVAL	DATE
		ADJUST THE RECOMMENDED DC MATING PLUG	J.X.KUANG	8 10 2019

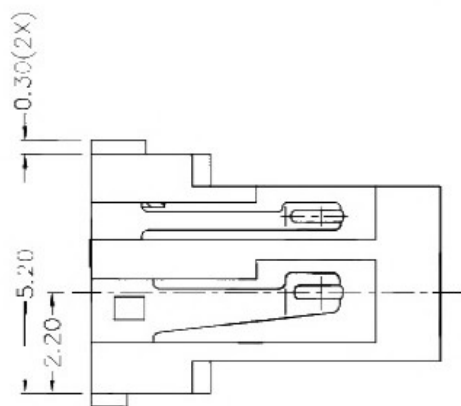
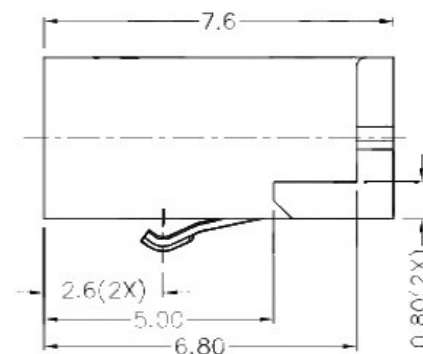
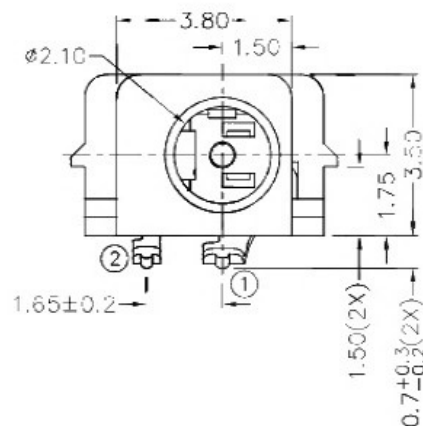
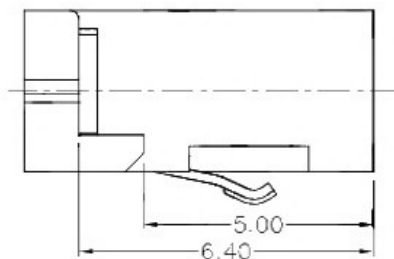
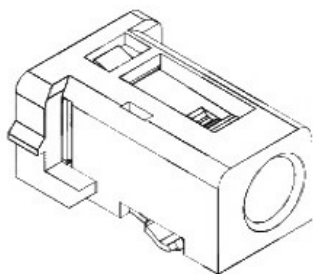
RoHS  
Compliant

1

2

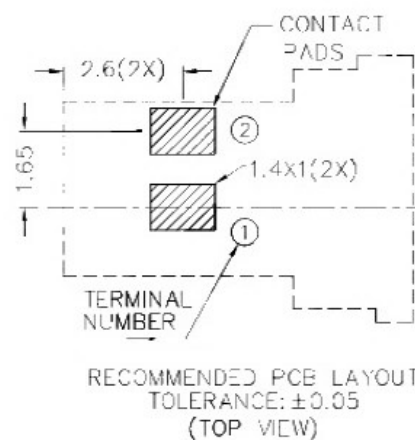
3

4

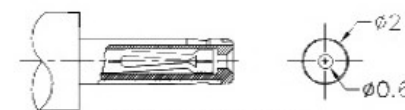


\* MATERIAL

TERMINAL 1 : COPPER ALLOY  
 TERMINAL 2 : COPPER ALLOY  
 HOUSING : HIGH TEMP. PLASTIC

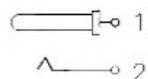



RECOMMENDED PCB LAYOUT  
 TOLERANCE: ±0.05  
 (TOP VIEW)




RECOMMENDED  
 DC MATING PLUG

SCHEMATIC



 广东科斯达开关厂

PART NAME	DC POWER SOCKET	TOLERANCE UNLESS	0.0±0.2	UNIT:		DESIGN	X.N.ZHENG	DATE	22-2-2008	SCALE	6:1
PART NO.		OTHERWISE SPECIFIED:	0.00±0.1			DRAWING	H.Q.ZHOU	DATE	8 10 2019	MATERIAL	*
			0.000±0.05			CHECK	H.L.TAN	DATE	8-10-2019	DWG. NO.	Z\DC075-A/1.1
						APPROVAL		DATE		SHEET	

F

E

D

C

B

A