

F

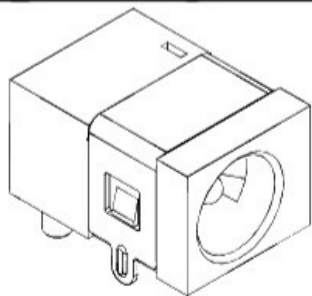
E

D

C

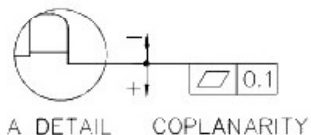
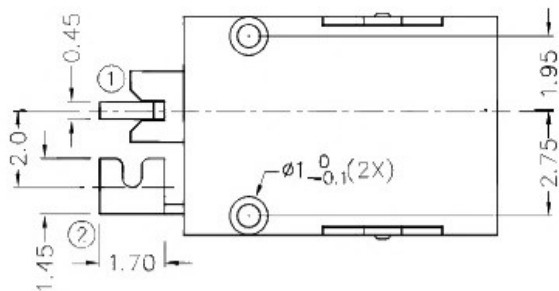
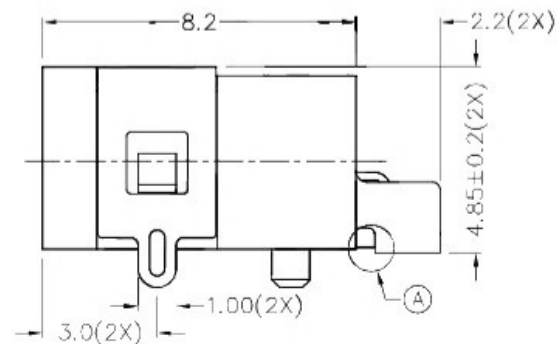
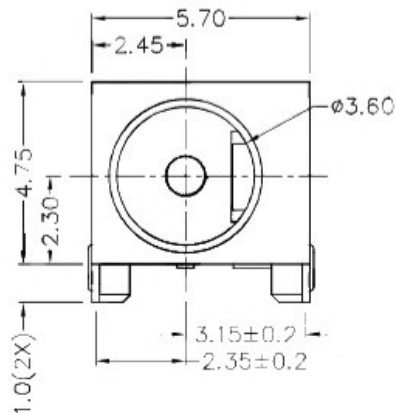
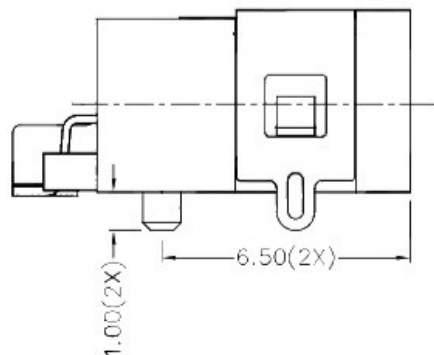
B

A



RoHS  
Compliant

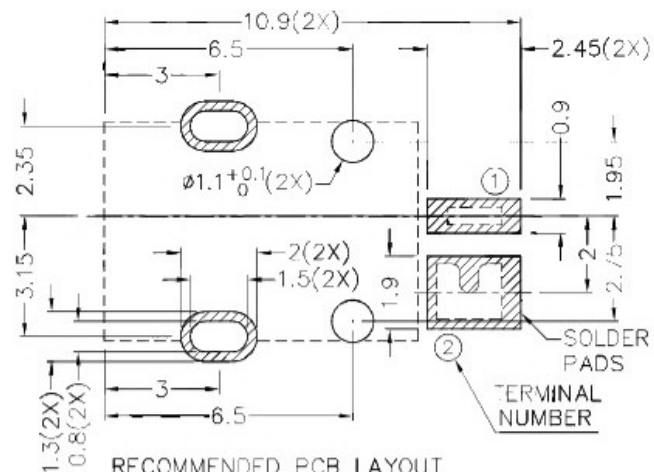
ZONE	SYMBOL	REVISION	APPROVAL	DATE
		ADJUST THE RECOMMENDED DC MATING PLUG	J.X.KUANG	8-10-2019



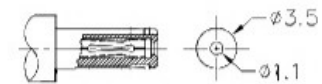
\* MATERIAL

TERMINAL 1 : COPPER ALLOY  
 TERMINAL 2 : COPPER ALLOY  
 SHIELD : BRASS  
 HOUSING : HIGH TEMP. PLASTIC

SCHEMATIC		1
		2
CENTER PIN		∅1.000mm



RECOMMENDED PCB LAYOUT  
 TOLERANCE: ±0.05  
 (TOP VIEW)



RECOMMENDED  
 DC MATING PLUG

广东科斯达开关厂

PART NAME	SMD DC POWER SOCKET	TOLFRANCE UNLESS	0.0±0.2	UNIT:		DESIGN	G.P.YI	DATE	5-7-2007	SCALE	5:1
PART NO.		OTHERWISE SPECIFIED:	0.00±0.1 0.000±0.05	mm		DRAWING	H.Q.ZHOU	DATE	8-10-2019	MATERIAL	*
						CHFC	T.Y.LI	DATE	8-10-2019	DWG. NO.	TZ\DC070DS-A/1.1
						APPROVAL		DATE		SHEET	

F

E

D

C

B

A