

F

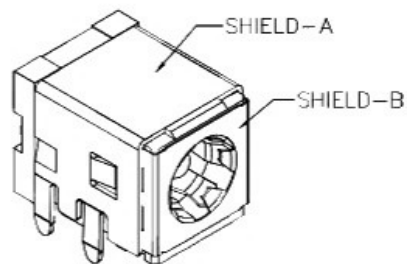
E

D

C

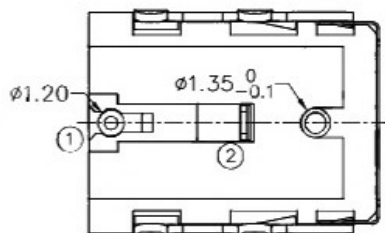
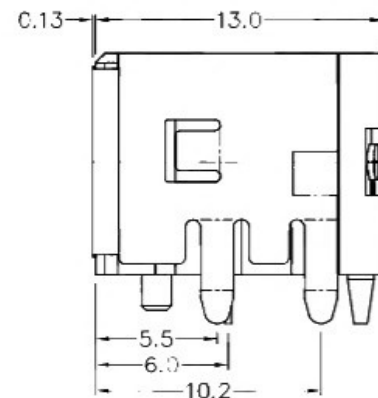
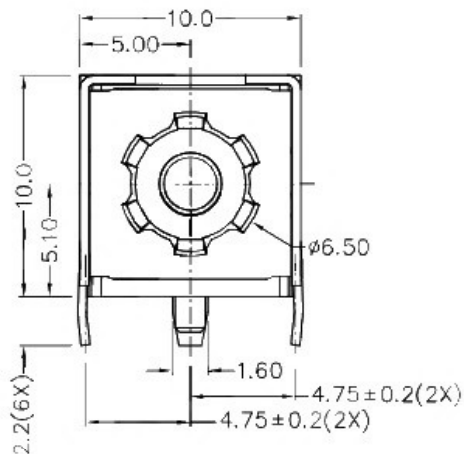
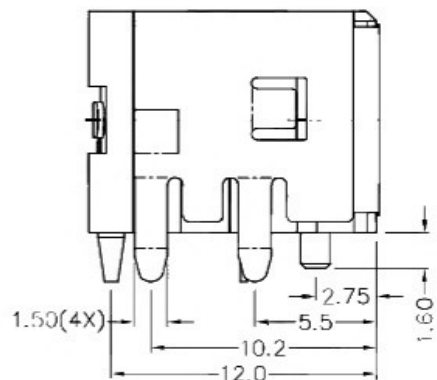
B

A



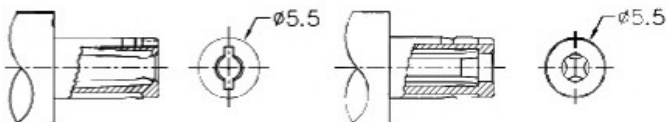
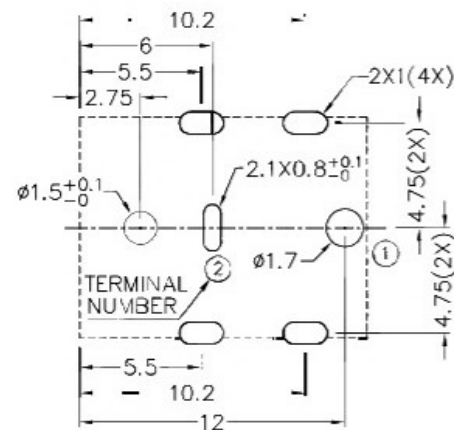
RoHS
Compliant

ZONE	SYMBOL	REVISION	APPROVAL	DATE



*MATERIAL

TERMINAL 1 : BRASS
 TERMINAL 2 : COPPER ALLOY
 STOPPER : C.R.STEEL
 SHIELD-A : C.R.STEEL
 SHIELD-B : STAINLESS STEEL
 HOUSING : HIGH TEMP. PLASTIC
 COVER : HIGH TEMP. PLASTIC



DC MATE PLUG

RATING: DC 20V 7A

DC MATE PLUG

RATING: DC 20V 10A

SCHEMATIC	
CENTER PIN	φ1.65mm φ2.5mm

RECOMMENDED PCB LAYOUT
 TOLERANCE: ±0.05
 (TOP VIEW)

广东科斯达开关厂

DESIGN	T.Y.LI	DATE	17-3-2009	SCALE	3:1
DRAWING	J.CH.OU	DATE	5-9-2016	MATERIAL	×
CHECK	H.L.TAN	DATE	5-9-2016	DWG. NO.	TZ\DC081HS-A/1.0
APPROVAL		DATE	5-9-2016	SHEET	
PART NAME	HIGH CURRENT DC POWER SOCKET	TOLERANCE UNLESS	0.0±0.2	UNIT:	
PART NO.		OTHERWISE SPECIFIED:	0.00±0.1 0.000±0.05	mm	

F

E

D

C

B

A