

F

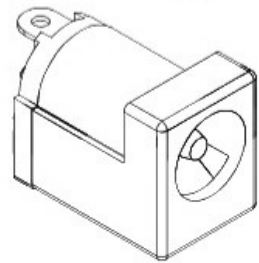
E

D

C

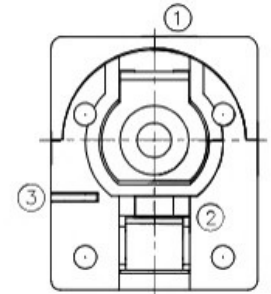
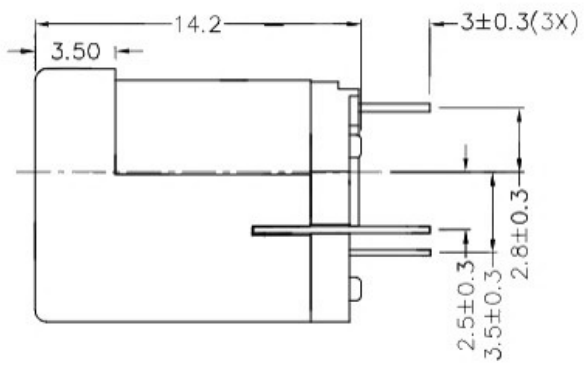
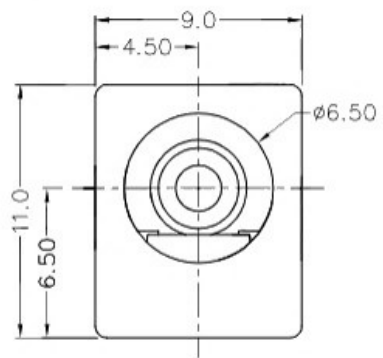
B

A

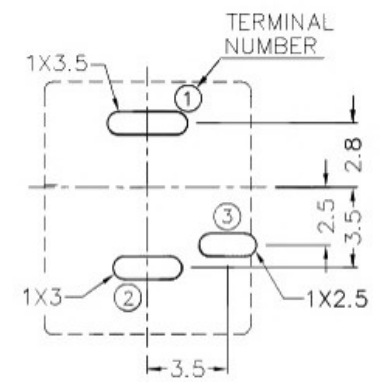
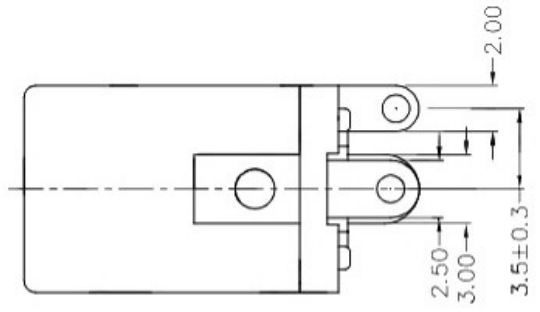


ZONE	SYMBOL	REVISION	APPROVAL	DATE

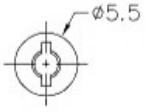
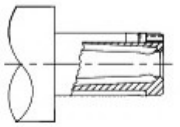
RoHS
Compliant



MODEL NO.	
SCHEMATIC	
CENTER PIN	$\phi 2\text{mm}$
	$\phi 2.5\text{mm}$



RECOMMENDED PCB LAYOUT
TOLERANCE: ± 0.05
(TOP VIEW)



* MATERIAL

- CENTRE PIN : COPPER
- TERMINAL 1 : BRASS
- TERMINAL 2 : COPPER ALLOY
- TERMINAL 3 : BRASS
- HOUSING : THERMOPLASTIC
- COVER : THERMOPLASTIC

DC MATE PLUG



DESIGN	J.X.KUANG	DATE	7-4-2005	SCALE	4:1
DRAWING	H.L.TAN	DATE	4-11-2016	MATERIAL	*
CHECK	T.Y.LI	DATE	4-11-2016	DWG. NO.	TZ\DC030-B/1.0
APPROVAL		DATE		SHEET	

PART NAME	DC POWER SOCKET	TOLERANCE UNLESS	0.0±0.2	UNIT:
PART NO.		OTHERWISE SPECIFIED:	0.00±0.1 0.000±0.05	

F

E

D

C

B

A