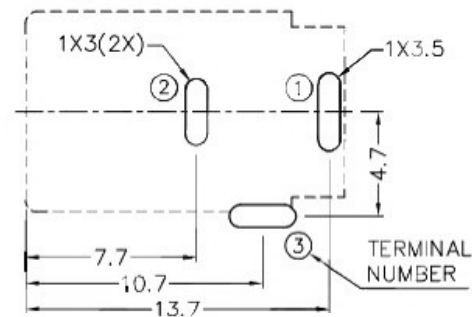
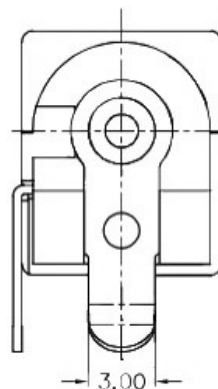
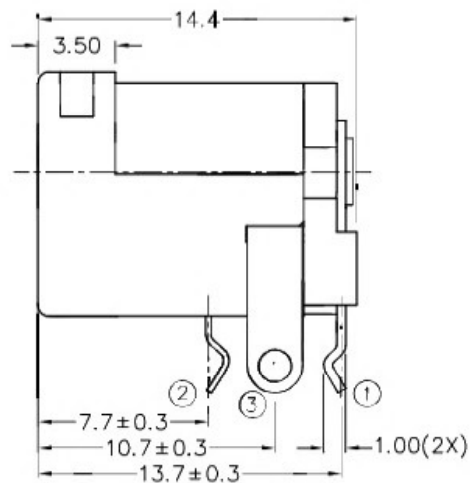
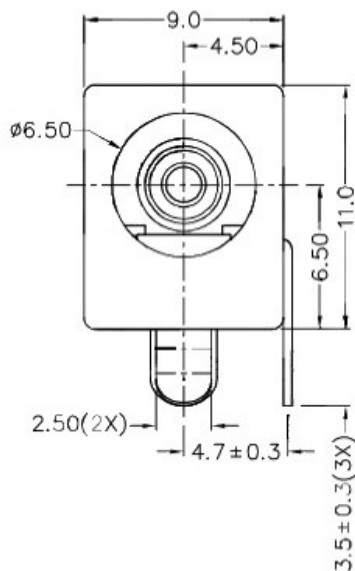
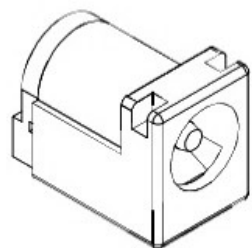
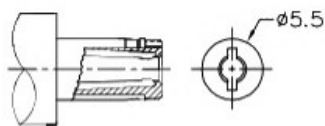


ZONE	SYMBOL	REVISION	APPROVAL	DATE

RoHS  
Compliant



RECOMMENDED PCB LAYOUT  
TOLERANCE: ±0.05  
(TOP VIEW)



DC MATE PLUG

SCHEMATIC	
CENTER PIN	1.65mm
	2mm
	2.5mm

\* MATERIAL

CENTRE PIN : COPPER  
 TERMINAL 1 : BRASS  
 TERMINAL 2 : COPPER ALLOY  
 TERMINAL 3 : BRASS  
 HOUSING : THERMOPLASTIC  
 COVER : THERMOPLASTIC

广东科斯达开关厂

DESIGN	J.M.KWAN	DATE	16-1-2004	SCALE	3:1
DRAWING	H.Q.ZHOU	DATE	9-9-2016	MATERIAL	*
CHECK	H.L.TAN	DATE	9-9-2016	DWG. NO.	TZ\DC002-2-B/1.0
APPROVAL		DATE	9-9-2016	SHEET	

PART NAME	DC POWER SOCKET	TOLERANCE UNLESS	0.0±0.2	UNIT:	
PART NO.		OTHERWISE SPECIFIED:	0.00±0.1 0.000±0.05	mm	