

F

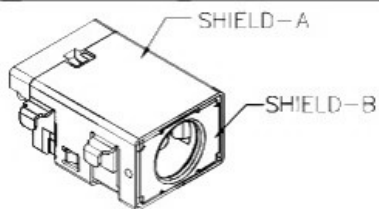
E

D

C

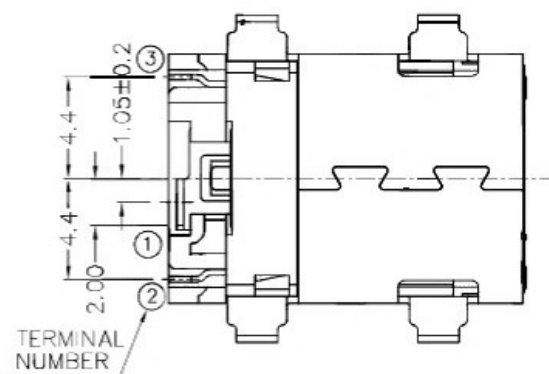
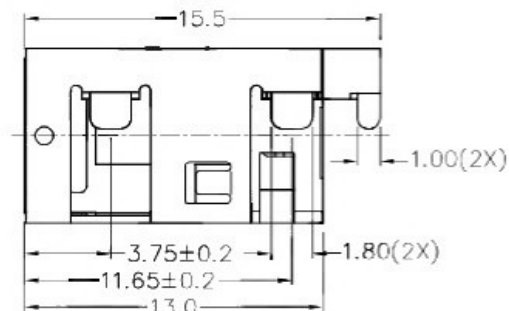
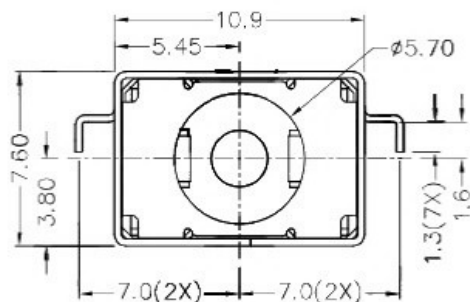
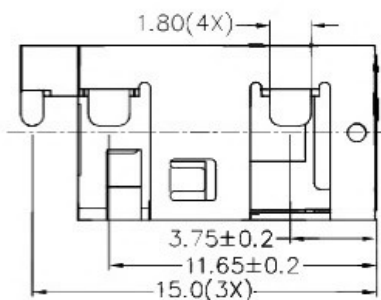
B

A



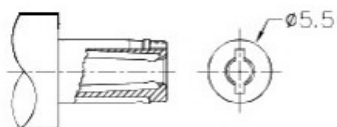
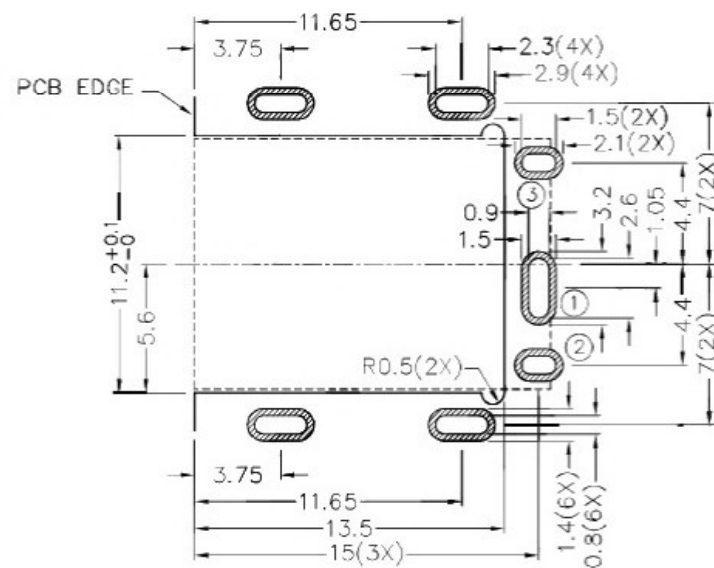
RoHS
Compliant

ZONE	SYMBOL	REVISION	APPROVAL	DATE



※ MATERIAL

TERMINAL 1 : BRASS
 TERMINAL 2 : COPPER ALLOY
 TERMINAL 3 : COPPER ALLOY
 SHIELD-A : BRASS
 SHIELD-B : STAINLESS STEEL
 HOUSING : HIGH TEMP. PLASTIC



DC MATE PLUG

MODEL NO.	
SCHEMATIC	
CENTER PIN	∅2.5mm

RECOMMENDED PCB LAYOUT
 TOLERANCE: ±0.05
 (TOP VIEW)

广东科斯达开关厂

PART NAME	HIGH CURRENT SMD DC POWER SOCKET	TOLERANCE UNLESS	0.0±0.2	UNIT:
PART NO.		OTHERWISE SPECIFIED:	0.00±0.1 0.000±0.05	

DESIGN	G.P.YI	DATE	19-4-2013	SCALE	3:1
DRAWING	H.L.TAN	DATE	18-11-2016	MATERIAL	*
CHECK	T.Y.LI	DATE	18-11-2016	DWG. NO.	T2\DC111DHS-A/1.0
APPROVAL		DATE		SHEET	

F

E

D

C

B

A