

F

E

D

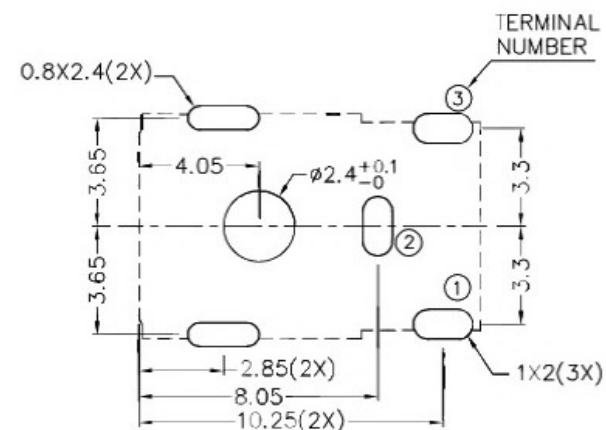
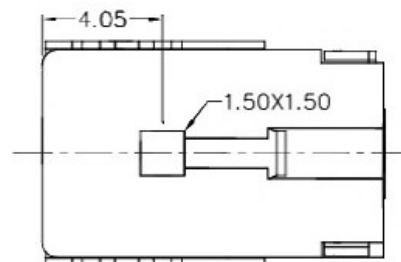
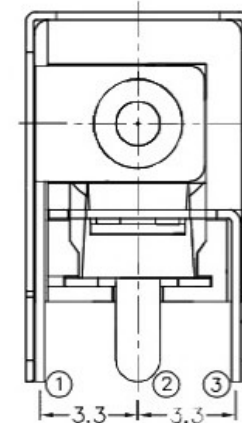
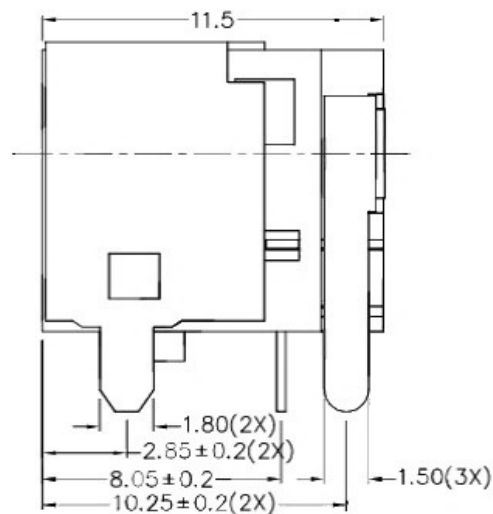
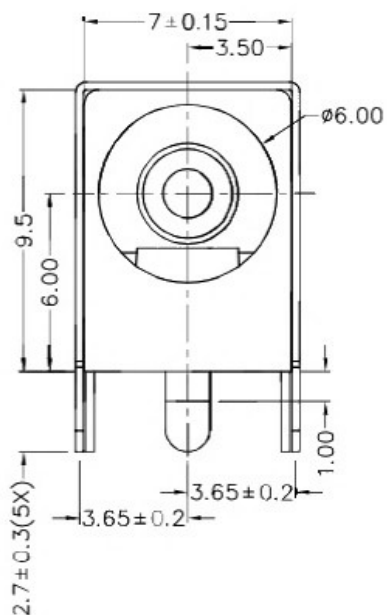
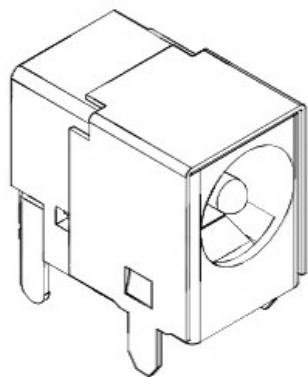
C

B

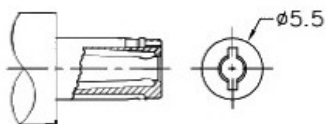
A

ZONE	SYMBOL	REVISION	APPROVAL	DATE

RoHS
Compliant



RECOMMENDED PCB LAYOUT
TOLERANCE: ±0.05
(TOP VIEW)



DC MATE PLUG

SCHEMATIC	
CENTER PIN	Ø1.65mm Ø2mm Ø2.5mm

* MATERIAL

CENTRE PIN : COPPER
 TERMINAL 1 : BRASS
 TERMINAL 2 : COPPER ALLOY
 TERMINAL 3 : BRASS
 SHIELD : BRASS
 HOUSING : THERMOPLASTIC

广东科斯达开关厂

DESIGN	J.X.KUANG	DATE	5-1-2005	SCALE	4:1
DRAWING	T.Y.LI	DATE	16-9-2016	MATERIAL	*
CHECK	H.L.TAN	DATE	16-9-2016	DWG. NO.	TZ\DC038S-B/1.0
APPROVAL		DATE	16-9-2016	SHEET	

PART NAME	DC POWER SOCKET	TOLERANCE UNLESS	0.0±0.2	UNIT:	
PART NO.		OTHERWISE SPECIFIED:	0.00±0.1 0.000±0.05	mm	

F

E

D

C

B

A